

RONIS KEYSWITCH, 22M, ROUND, PLASTIC,
LOCK NO. 421, WITH 2 KEYS,
2 SWITCH POSITIONS I-O-II, LATCHING,
ACTUATING ANGLE 2X50 DEG,
KEY REMOVAL I+O+II, WITH HOLDER

Actuator:		
Design of the product		Single device round
Design of the operating mechanism		Key-operated switch
Functionality / of the actuator		Latching
Type of unlocking device		key unlatching
Color / of the activation element		Silver
Material / of the activation element		metal
Make of the lock		RONIS
Number of switching positions		3
Switch position for key distraction		I+O+II
Actuating angle		
• clockwise	°	50
• anticlockwise	°	50
Product component / front ring		Yes
Material / of the front ring		plastic
Color / of the front ring		black
Design of the front ring		Standard
Product function / EMERGENCY STOP function		No

Holder:		
Material / of the holder		Plastic

General technical data:		
Resistance against shock		
• for devices without incandescent lamp / according to IEC 60068-2-27		<= 50g
Resistance against vibration / according to IEC 60068-2-6		20 ... 200 Hz: 5g
Operating cycles / maximum	1/h	1,000
Mechanical operating cycles as operating time / typical		300,000
Reference code		
• according to DIN EN 61346-2		S

<ul style="list-style-type: none"> according to DIN 40719 extended according to IEC 204-2 / according to IEC 750 		S
Tightening torque / of the screws in the bracket / maximum	N-m	1
Ambient temperature		
<ul style="list-style-type: none"> during operating 	°C	-25 ... +70
<ul style="list-style-type: none"> during storage 	°C	-40 ... +80
Protection class IP		IP66
climatic class / during the operating phase / according to EN 60721		3K6
Mounting type		front mounting
Shape / of the installation hole		round
Installation width	mm	28.5
Mounting diameter	mm	22
Mounting height	mm	44
Mounting depth	mm	29

Certificates/ approvals:

General Product Approval



[Special Test Certificate](#)

EG-Konf.

Shipping Approval



other

[Confirmation](#)

[other](#)

[Environmental Confirmations](#)

Further information:

Information- and Downloadcenter (Catalogs, Brochures,...)

<http://www.siemens.com/industrial-controls/catalogs>

Industry Mall (Online ordering system)

<http://www.siemens.com/industrial-controls/mall>

Cax online generator

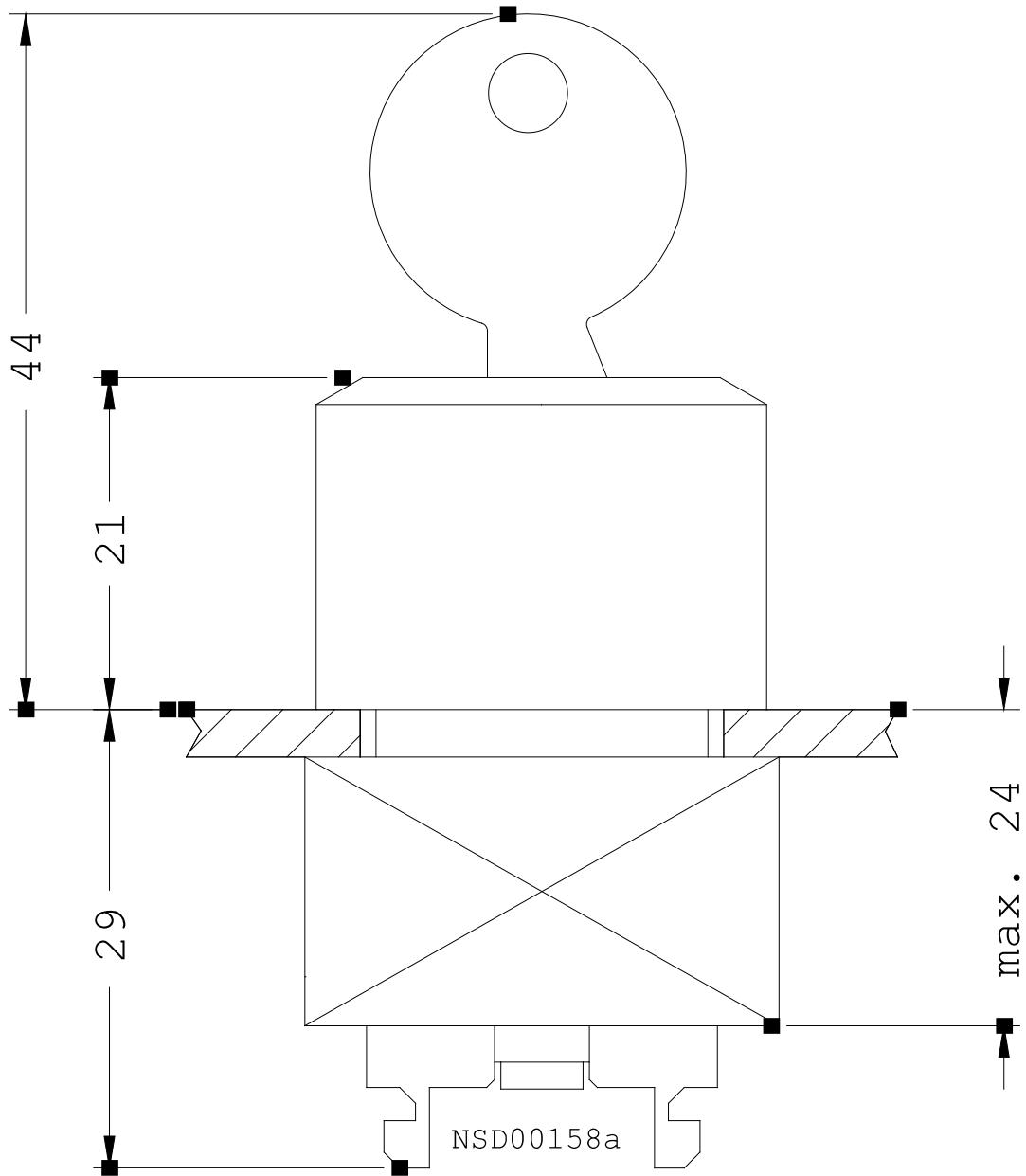
<http://www.siemens.com/cax>

Service&Support (Manuals, Certificates, Characteristics, FAQs,...)

<http://support.automation.siemens.com/WW/view/en/3SB3000-4DM11/all>

Image database (product images, 2D dimension drawings, 3D models, device circuit diagrams, ...)

http://www.automation.siemens.com/bilddb/cax_en.aspx?mlfb=3SB3000-4DM11



last change:

Jun 16, 2014