



22MM PLASTIC ROUND ACTUATOR: ILLUMINATED PUSHBUTTON WITH FLAT BUTTON LATCHING, UNLOCKING BY PRESSING AGAIN ILLUMINABLE INCL. HOLDER FOR 3 ELEMENTS WITH HOLDER CLEAR

Actuator:		
Design of the product		Single device round
Design of the operating mechanism		Illuminated pushbutton
Functionality / of the actuator		Latching
Type of unlocking device		push-to-unlatch mechanism
Color / of the activation element		Clear
Material / of the activation element		plastic
Shape / of the activation element		Flat pushbutton
Number of switching positions		2
Product component / front ring		Yes
Material / of the front ring		plastic
Color / of the front ring		black
Design of the front ring		Standard
Product function / EMERGENCY STOP function		No

Holder:		
Material / of the holder		Plastic

General technical data:		
Resistance against shock		

<ul style="list-style-type: none"> for devices with incandescent lamp / according to IEC 60068-2-27 for devices without incandescent lamp / according to IEC 60068-2-27 		<= 30g
		<= 50g
Resistance against vibration / according to IEC 60068-2-6		20 ... 200 Hz: 5g
Operating cycles / maximum	1/h	1,000
Mechanical operating cycles as operating time / typical		300,000
Reference code		
<ul style="list-style-type: none"> according to DIN EN 61346-2 according to DIN 40719 extended according to IEC 204-2 / according to IEC 750 		S S
Tightening torque / of the screws in the bracket / maximum	N·m	1
Ambient temperature		
<ul style="list-style-type: none"> during operating during storage 	°C	-25 ... +70
	°C	-40 ... +80
Protection class IP		IP66
climatic class / during the operating phase / according to EN 60721		3K6
Mounting type		front mounting
Shape / of the installation hole		round
Installation width	mm	28.5
Mounting diameter	mm	22
Mounting height	mm	8
Mounting depth	mm	29

Certificates/ approvals:

General Product Approval



[Special Test Certificate](#)

EG-Konf.

Shipping Approval



other

[Confirmation](#)

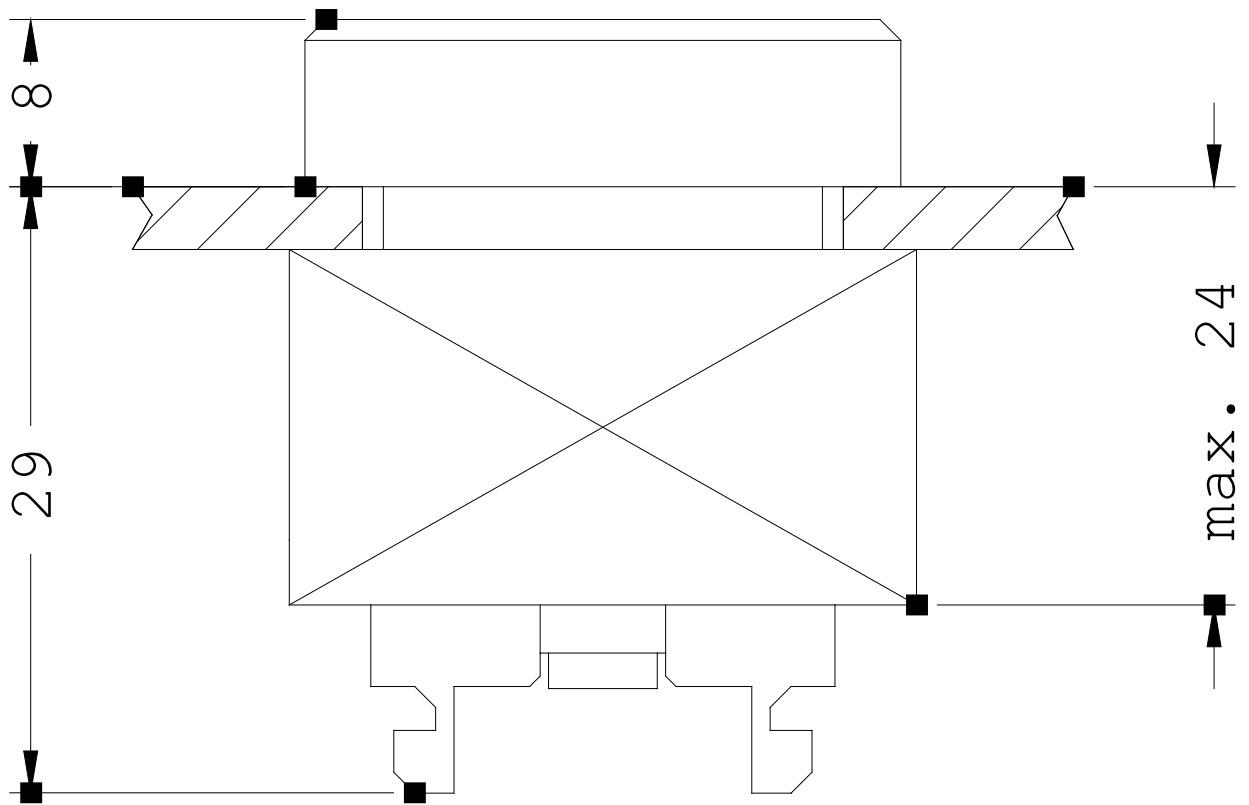
[other](#)

[Environmental Confirmations](#)

Further information:

Information- and Downloadcenter (Catalogs, Brochures,...)

<http://www.siemens.com/industrial-controls/catalogs>



last change:

Jun 16, 2014