



Resistance against vibration / according to IEC 60068-2-6		20 ... 200 Hz: 5g
Operating cycles / maximum	1/h	1,000
Mechanical operating cycles as operating time / typical		300,000
<b>Item designation</b>		
• according to DIN EN 61346-2		S
• according to DIN 40719 extendable after IEC 204-2 / according to IEC 750		S
<b>Tightening torque / of the screws in the bracket / maximum</b>	N-m	1
<b>Ambient temperature</b>		
• during operating	°C	-25 ... +70
• during storage	°C	-40 ... +80
<b>Protection class IP</b>		IP66
<b>climatic class / during the operating phase / according to EN 60721</b>		3K6
<b>Type of mounting</b>		front mounting
<b>Shape / of the installation hole</b>		round
<b>Installation width</b>	mm	28.5
<b>Mounting diameter</b>	mm	22
<b>Mounting height</b>	mm	24
<b>Mounting depth</b>	mm	29

#### Certificates/approvals:

##### General Product Approval



##### Test Certificates

[Special Test Certificate](#)

##### Shipping Approval



##### other

[Confirmation](#)

[other](#)

[Environmental Confirmations](#)

#### Further information:

##### Information- and Downloadcenter (Catalogs, Brochures,...)

<http://www.siemens.com/industrial-controls/catalogs>

##### Industry Mall (Online ordering system)

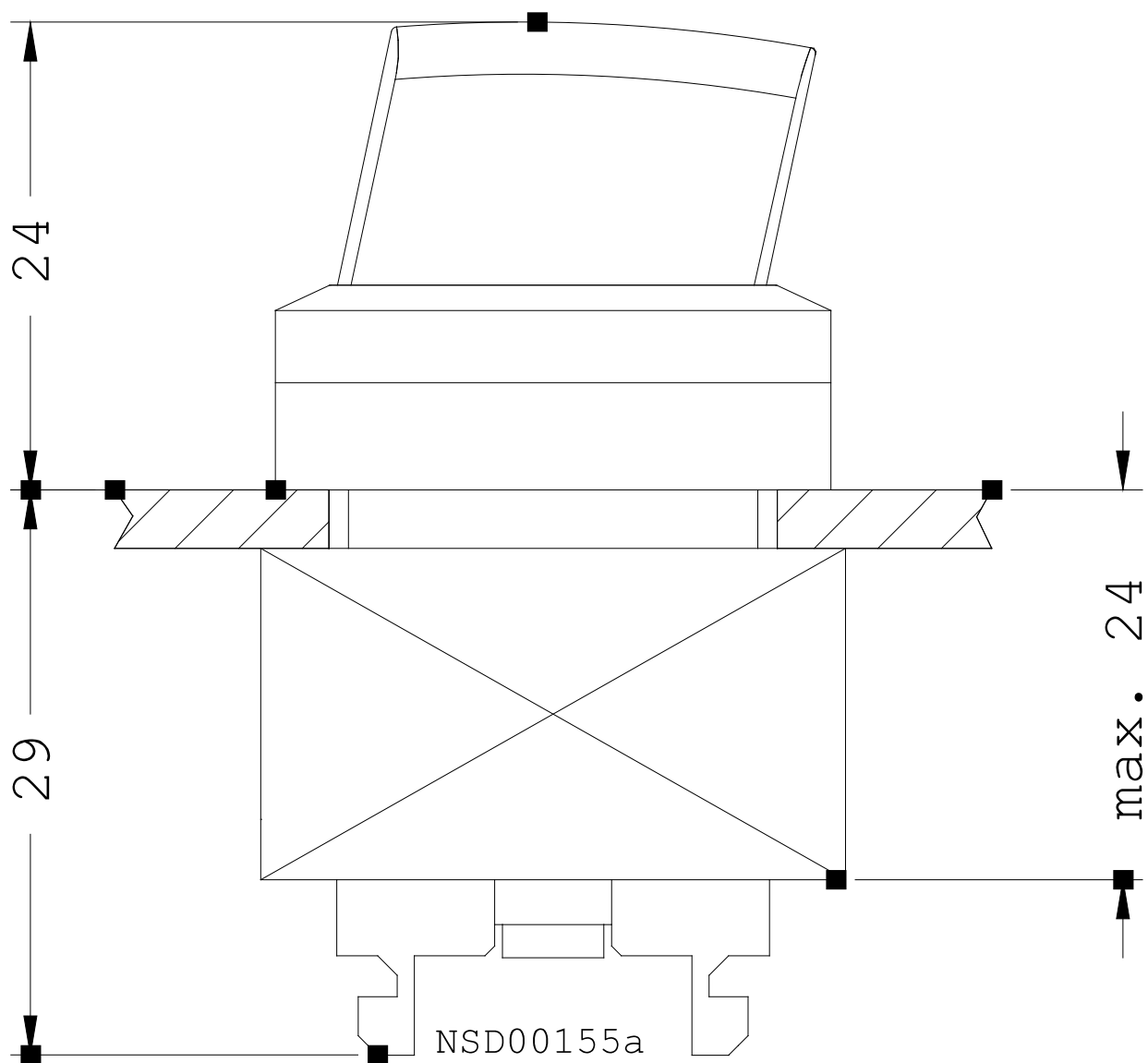
<http://www.siemens.com/industrial-controls/mall>

##### Cax online generator:

<http://www.siemens.com/cax>

##### Service&Support (Manuals, Certificates, Characteristics, FAQs,...)

<http://support.automation.siemens.com/WW/view/en/3SB3001-2EA21/all>



last change:

Jan 21, 2013