

22MM PLASTIC ROUND ACTUATOR: SELECTOR SWITCH
MOMENTARY CONTACT TYPE 3 SWITCH POSITIONS I-O
-II ILLUMINATED INCL. HOLDER FOR 3 ELEMENTS WITH
HOLDER CLEAR



Actuator / signaling device:	
Design of the operating mechanism	selector switch
Type of unlocking device	without
Material / of the activation element	plastic
Number of switching positions	3
Actuating angle	
<ul style="list-style-type: none"> • clockwise 	° 50
<ul style="list-style-type: none"> • anticlockwise 	° 50
Product component / front ring	Yes
Material / of the front ring	plastic
Color / of the front ring	black
Design of the front ring	Standard
Product function / EMERGENCY STOP function	No

Holder:	
Material / of the holder	Plastic

General technical details:	
Resistance against shock	
<ul style="list-style-type: none"> • for devices without incandescent lamp / according to IEC 60068-2-27 	<= 50g

Resistance against vibration / according to IEC 60068-2-6		20 ... 200 Hz: 5g
Operating cycles / maximum	1/h	1,000
Mechanical operating cycles as operating time / typical		300,000
Item designation		S
<ul style="list-style-type: none"> • according to DIN EN 61346-2 • according to DIN 40719 extendable after IEC 204-2 / according to IEC 750 		S
Tightening torque / of the screws in the bracket / maximum	N-m	1
Ambient temperature		
<ul style="list-style-type: none"> • during operating 	°C	-25 ... +70
<ul style="list-style-type: none"> • during storage 	°C	-40 ... +80
Protection class IP		IP66
climatic class / during the operating phase / according to EN 60721		3K6
Type of mounting		front mounting
Shape / of the installation hole		round
Installation width	mm	28.5
Mounting diameter	mm	22
Mounting height	mm	24
Mounting depth	mm	29

Certificates/approvals:

General Product Approval



Test Certificates

[Special Test Certificate](#)

Shipping Approval



other

[Confirmation](#)

[other](#)

[Environmental Confirmations](#)

Further information:

Information- and Downloadcenter (Catalogs, Brochures,...)

<http://www.siemens.com/industrial-controls/catalogs>

Industry Mall (Online ordering system)

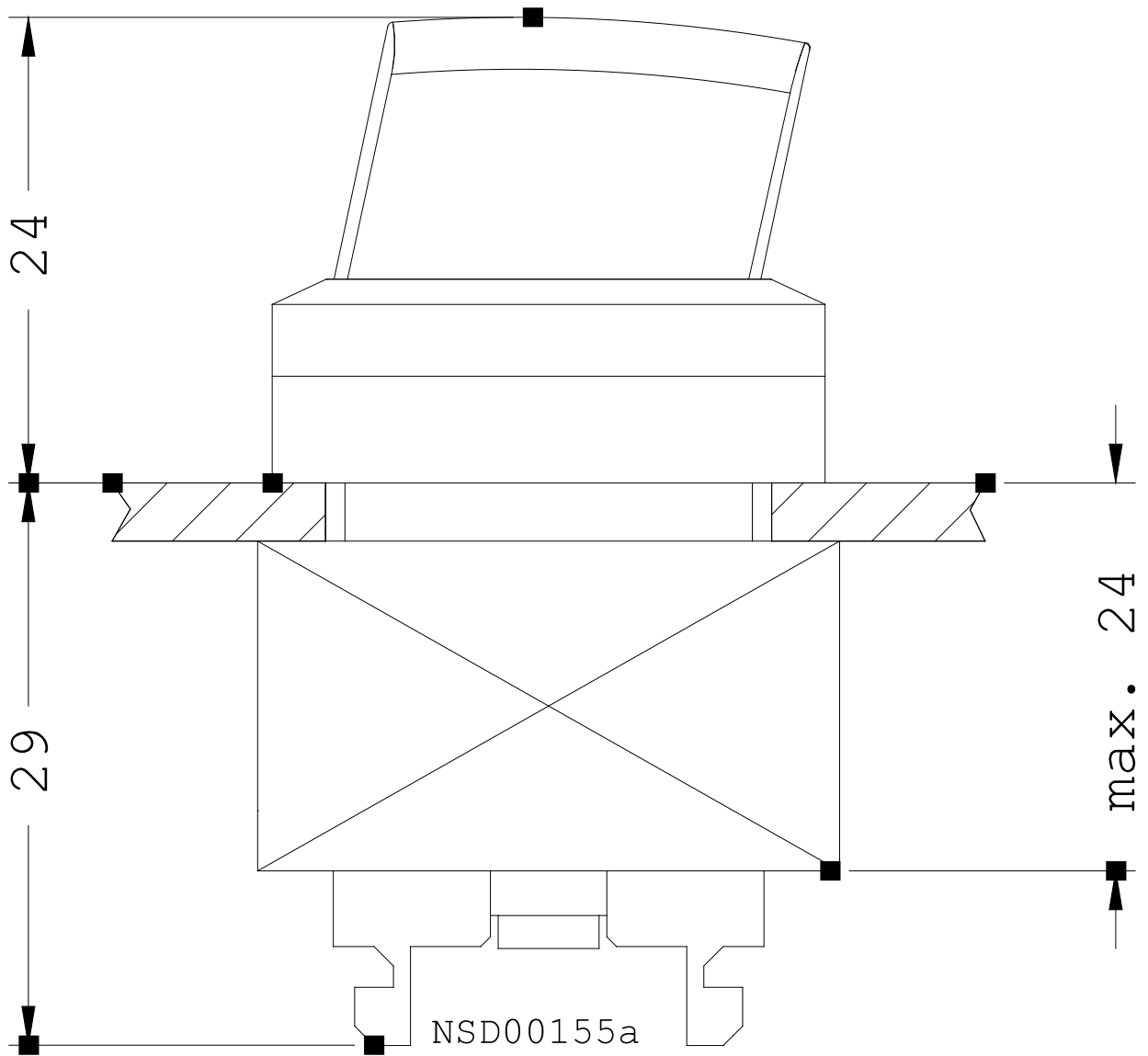
<http://www.siemens.com/industrial-controls/mall>

Cax online generator:

<http://www.siemens.com/cax>

Service&Support (Manuals, Certificates, Characteristics, FAQs,...)

<http://support.automation.siemens.com/WW/view/en/3SB3001-2EA71/all>



last change:

Jan 21, 2013