

26X26MM SQUARE PLASTIC ACTUATOR: RONIS LOCK WITH 2 KEYS MAINTAINED CONTACT 3 SWITCH POSITIONS I-O-II LOCK NUMBER SB30, REMOVE I+II WITH HOLDER POSSIBLE SPECIAL LOCKS FOR RONIS KEYSWITCHES: SB31, 455, 421

Actuato/ signaling device:		
Design of the product		Single device square
Design of the operating mechanism		Key-operated switch
Functionality / of the actuator		Latching
Type of unlocking device		key unlatching
Color / of the activation element		Silver
Material / of the activation element		metal
Make of the lock		RONIS
Number of switching positions		3
Switch position for key distraction		I+II
Actuating angle		
• clockwise	°	50
• anticlockwise	°	50
Product component / front ring		Yes
Material / of the front ring		plastic
Color / of the front ring		black
Design of the front ring		Standard
Product function / EMERGENCY STOP function		No

Holder:

Material / of the holder		Plastic
General technical details:		
Resistance against shock • for devices without incandescent lamp / according to IEC 60068-2-27		<= 50g
Resistance against vibration / according to IEC 60068-2-6		20 ... 200 Hz: 5g
Operating cycles / maximum	1/h	1,000
Mechanical operating cycles as operating time / typical		300,000
Reference code • according to DIN EN 61346-2 • according to DIN 40719 extended according to IEC 204-2 / according to IEC 750		S S
Tightening torque / of the screws in the bracket / maximum	N-m	1
Ambient temperature • during operating • during storage	°C °C	-25 ... +70 -40 ... +80
Protection class IP		IP66
climatic class / during the operating phase / according to EN 60721		3K6
Mounting type		front mounting
Shape / of the installation hole		square
Installation width	mm	30
Mounting height	mm	44
Mounting depth	mm	29

Certificates/ approvals:

General Product Approval



[Special Test Certificate](#)

EG-Konf.

Shipping Approval



LRS



PRS



RINA

other

[Confirmation](#)

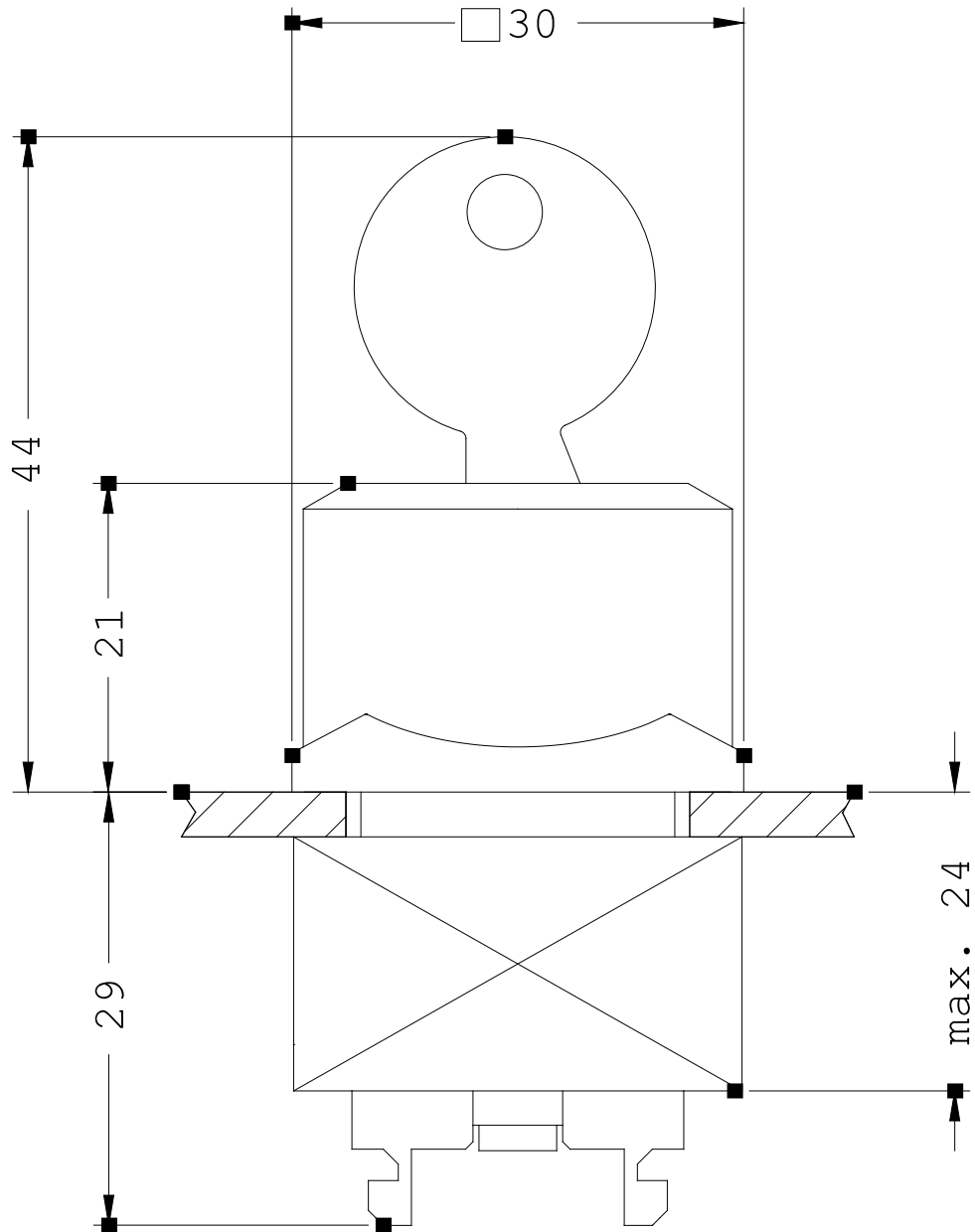
[other](#)

[Environmental Confirmations](#)

Further information:

Information- and Downloadcenter (Catalogs, Brochures,...)

<http://www.siemens.com/industrial-controls/catalogs>



last change:

Jul 7, 2014