

26X26MM PLASTIC SQUARE ACTUATOR: CES KEY-OPER.SWITCH WITH 2 KEYS MOMENTARY CONTACT TYPE 2 SWITCH POSITIONS O-I LOCK NO LSG 1, REMOVAL POS. O WITH HOLDER

Actuato/ signaling device:		
Design of the product		Single device square
Design of the operating mechanism		Key-operated switch
Functionality / of the actuator		Momentary contact type
Type of unlocking device		key unlatching
Color / of the activation element		Silver
Material / of the activation element		metal
Make of the lock		CES
Number of switching positions		2
Switch position for key distraction		O
Actuating angle		
<ul style="list-style-type: none"> clockwise 	°	50
Product component / front ring		Yes
Material / of the front ring		plastic
Color / of the front ring		black
Design of the front ring		Standard
Product function / EMERGENCY STOP function		No

Holder:		
Material / of the holder		Plastic

General technical details:		
Resistance against shock		
<ul style="list-style-type: none"> for devices without incandescent lamp / according to IEC 60068-2-27 		<= 50g
Resistance against vibration / according to IEC 60068-2-6		20 ... 200 Hz: 5g
Operating cycles / maximum	1/h	1,000
Mechanical operating cycles as operating time / typical		300,000
Reference code		
<ul style="list-style-type: none"> according to DIN EN 61346-2 		S
<ul style="list-style-type: none"> according to DIN 40719 extended according to IEC 204-2 / according to IEC 750 		S
Tightening torque / of the screws in the bracket / maximum	N·m	1

Ambient temperature		
• during operating	°C	-25 ... +70
• during storage	°C	-40 ... +80
Protection class IP		IP66
B10 value / with high demand rate / according to SN 31920		100,000
Proportion of dangerous failures / with high demand rate / according to SN 31920	%	20
Proportion of dangerous failures / with low demand rate / according to SN 31920	%	20
Failure rate [FIT] / with low demand rate / according to SN 31920	FIT	100
T1 value / for proof test interval or service life / according to IEC 61508	a	20
climatic class / during the operating phase / according to EN 60721		3K6
Mounting type		front mounting
Shape / of the installation hole		square
Installation width	mm	30
Mounting height	mm	64
Mounting depth	mm	29

Certificates/ approvals:

General Product Approval



[Special Test Certificate](#)

EG-Konf.

Shipping Approval



other

[Confirmation](#)

[other](#)

[Environmental Confirmations](#)

Further information:

Information- and Downloadcenter (Catalogs, Brochures,...)

<http://www.siemens.com/industrial-controls/catalogs>

Industry Mall (Online ordering system)

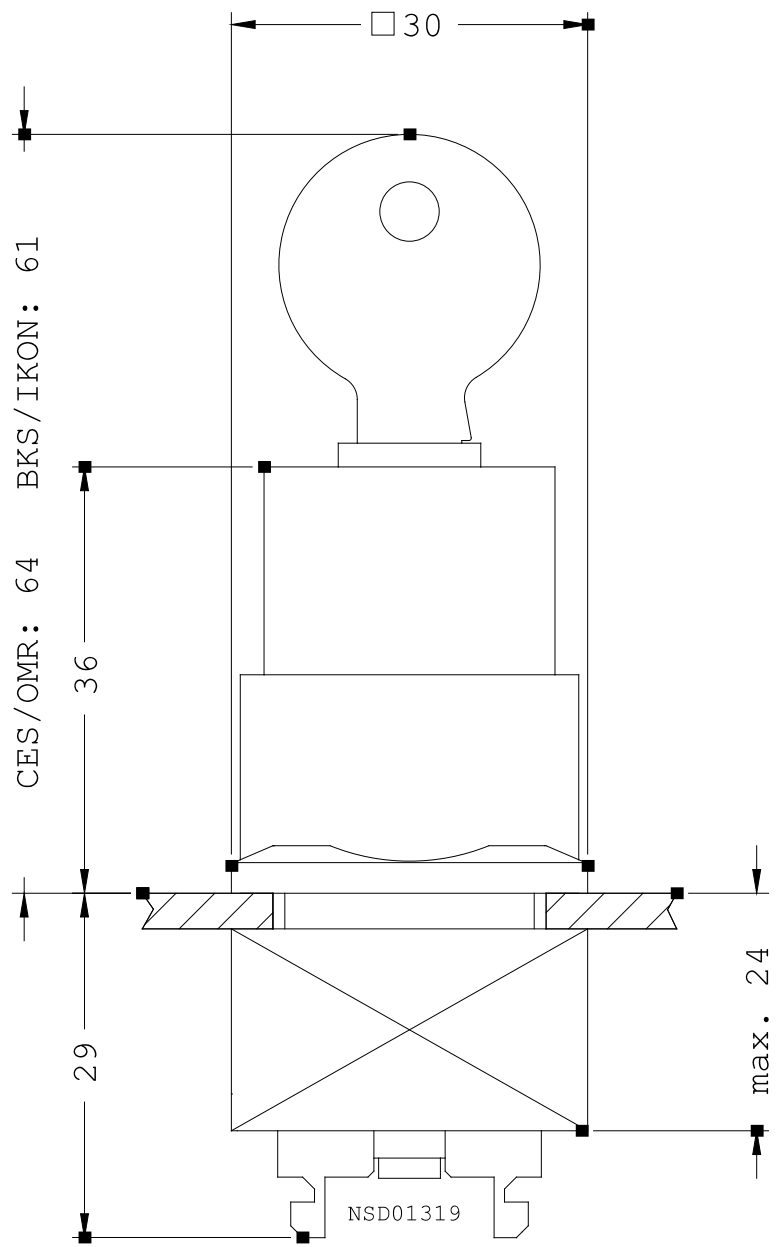
<http://www.siemens.com/industrial-controls/mall>

Cax online generator

<http://www.siemens.com/cax>

Service&Support (Manuals, Certificates, Characteristics, FAQs,...)

<http://support.automation.siemens.com/WW/view/en/3SB3110-4MF11/all>



last change:

Jul 7, 2014