

IKON KEY-OPER.SWITCH, 26X26MM, SQUARE, PLASTIC, LOCK NO 360012K1, W. 2 KEYS, 2 SWITCH POSITIONS O-I, MOM. CONTACT, ACTUATING ANGLE 50 DEG, REMOVAL POS. O, WITH HOLDER

Actuato/ signaling device:		
Design of the product		Single device square
Design of the operating mechanism		Key-operated switch
Functionality / of the actuator		Momentary contact type
Type of unlocking device		without
Color / of the activation element		Silver
Material / of the activation element		metal
Make of the lock		ICON
Number of switching positions		2
Switch position for key distraction		O
Actuating angle		
<ul style="list-style-type: none"> <li>clockwise</li> </ul>	°	50
Product component / front ring		Yes
Material / of the front ring		plastic
Color / of the front ring		black
Design of the front ring		Standard
Product function / EMERGENCY STOP function		No

Holder:		
Material / of the holder		Plastic

General technical details:		
Resistance against shock		
<ul style="list-style-type: none"> <li>for devices without incandescent lamp / according to IEC 60068-2-27</li> </ul>		<= 50g
Resistance against vibration / according to IEC 60068-2-6		20 ... 200 Hz: 5g
Operating cycles / maximum	1/h	1,000
Mechanical operating cycles as operating time / typical		300,000
Reference code		
<ul style="list-style-type: none"> <li>according to DIN EN 61346-2</li> </ul>		S
<ul style="list-style-type: none"> <li>according to DIN 40719 extended according to IEC 204-2 / according to IEC 750</li> </ul>		S

<b>Tightening torque / of the screws in the bracket / maximum</b>	N-m	1
<b>Ambient temperature</b>		
• during operating	°C	-25 ... +70
• during storage	°C	-40 ... +80
<b>Protection class IP</b>		IP66
<b>climatic class / during the operating phase / according to EN 60721</b>		3K6
<b>Mounting type</b>		front mounting
<b>Shape / of the installation hole</b>		square
<b>Installation width</b>	mm	30
<b>Mounting height</b>	mm	61
<b>Mounting depth</b>	mm	29

#### Certificates/ approvals:

##### General Product Approval



[Special Test Certificate](#)

##### Shipping Approval



##### other

[Confirmation](#)

[other](#)

[Environmental Confirmations](#)

#### Further information:

##### Information- and Downloadcenter (Catalogs, Brochures,...)

<http://www.siemens.com/industrial-controls/catalogs>

##### Industry Mall (Online ordering system)

<http://www.siemens.com/industrial-controls/mall>

##### Cax online generator

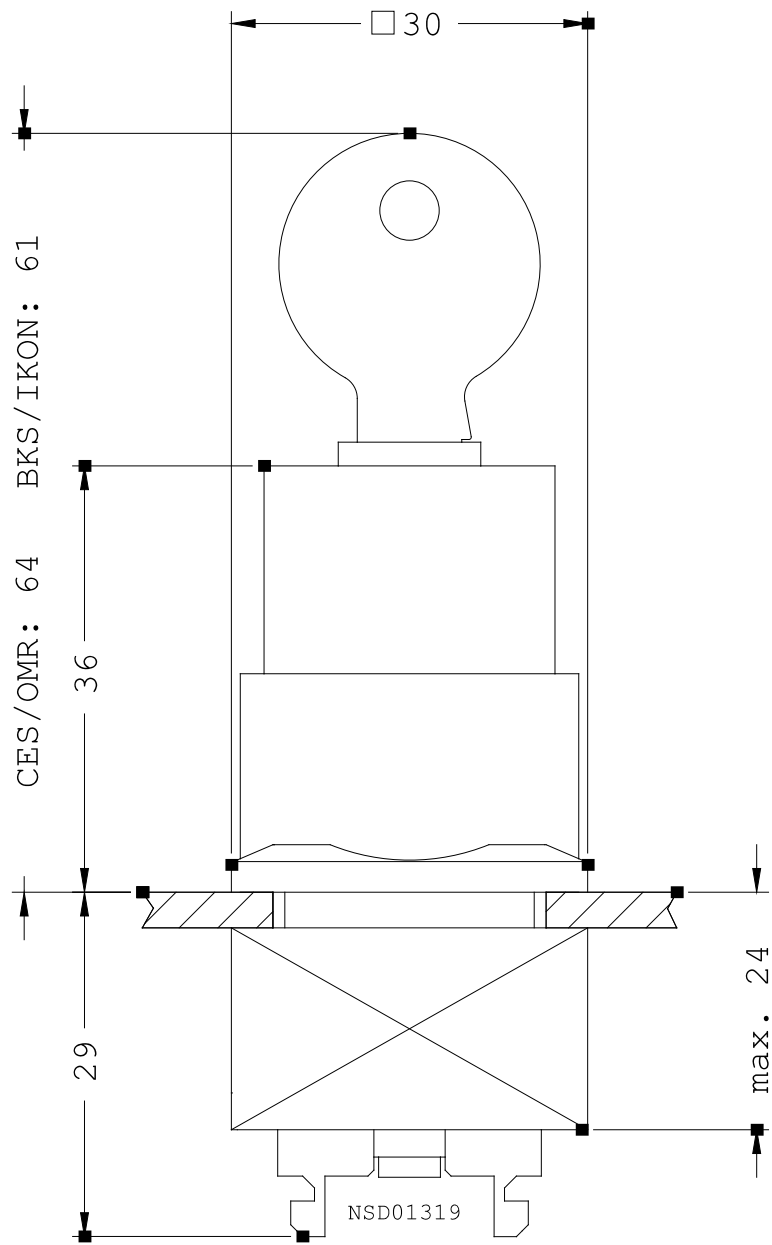
<http://www.siemens.com/cax>

##### Service&Support (Manuals, Certificates, Characteristics, FAQs,...)

<http://support.automation.siemens.com/WW/view/en/3SB3110-5MD01/all>

##### Image database (product images, 2D dimension drawings, 3D models, device circuit diagrams, ...)

[http://www.automation.siemens.com/bilddb/cax\\_en.aspx?mlfb=3SB3110-5MD01](http://www.automation.siemens.com/bilddb/cax_en.aspx?mlfb=3SB3110-5MD01)



last change:

Aug 4, 2014