

26X26MM PLASTIC SQUARE INDICATOR: INDICATOR LIGHT WITH SMOOTH LENSE ILLUMINABLE WITH HOLDER WHITE

Actuato/ signaling device:	
Design of the product	Single device square
Design of the operating mechanism	indicator light
Color / of the activation element	White
Material / of the activation element	plastic
Shape / of the activation element	Flat lens
Number of switching positions	0
Product component / front ring	No
Product function / EMERGENCY STOP function	No

Holder:	
Material / of the holder	Plastic

General technical details:	
Resistance against shock <ul style="list-style-type: none"> • for devices with incandescent lamp / according to IEC 60068-2-27 • for devices without incandescent lamp / according to IEC 60068-2-27 	<ul style="list-style-type: none"> <= 30g <= 50g
Resistance against vibration / according to IEC 60068-2-6	20 ... 200 Hz: 5g
Reference code <ul style="list-style-type: none"> • according to DIN EN 61346-2 	P

<ul style="list-style-type: none"> according to DIN 40719 extended according to IEC 204-2 / according to IEC 750 		H
Tightening torque / of the screws in the bracket / maximum	N-m	1
Ambient temperature		
<ul style="list-style-type: none"> during operating 	°C	-25 ... +70
<ul style="list-style-type: none"> during storage 	°C	-40 ... +80
Protection class IP		IP66
climatic class / during the operating phase / according to EN 60721		3K6
Mounting type		front mounting
Shape / of the installation hole		square
Installation width	mm	30
Mounting height	mm	7
Mounting depth	mm	29

Certificates/ approvals:

General Product Approval



[Special Test Certificate](#)

Declaration of Conformity

Test Certificates

Shipping Approval



other

[Confirmation](#)

[other](#)

[Environmental Confirmations](#)

Further information:

Information- and Downloadcenter (Catalogs, Brochures,...)

<http://www.siemens.com/industrial-controls/catalogs>

Industry Mall (Online ordering system)

<http://www.siemens.com/industrial-controls/mall>

Cax online generator

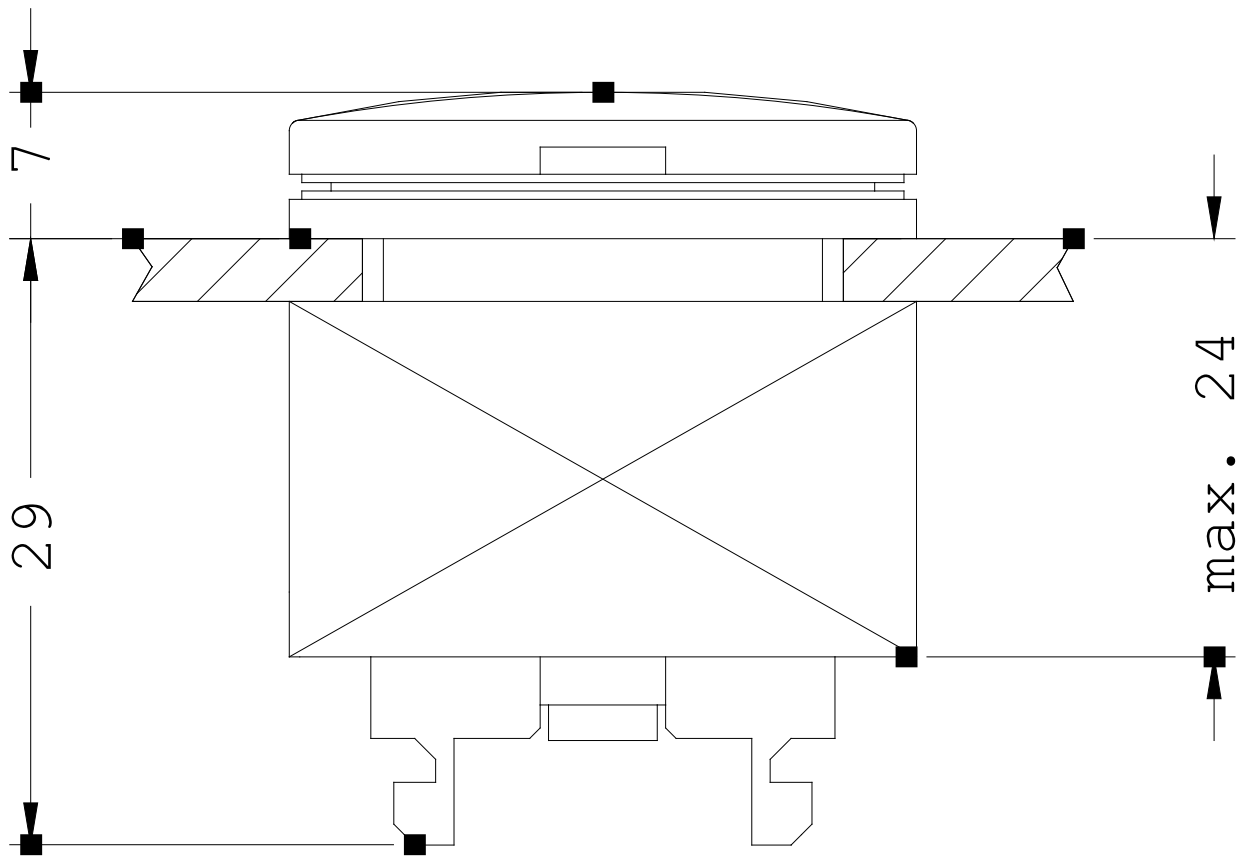
<http://www.siemens.com/cax>

Service&Support (Manuals, Certificates, Characteristics, FAQs,...)

<http://support.automation.siemens.com/WWW/view/en/3SB3111-6AA60/all>

Image database (product images, 2D dimension drawings, 3D models, device circuit diagrams, ...)

http://www.automation.siemens.com/bilddb/cax_en.aspx?mlfb=3SB3111-6AA60



last change:

Aug 4, 2014