



22MM PLASTIC ROUND COMPLETE UNIT
 COMBINATION: EMERGEN.-STOP MUSHR.PUSHB. 40MM
 LATCH.W. ROT.-TO-UNLATCH MECH. WITH YELLOW
 BACKING PLATE SCREW TERMINAL,
 1NO+1NC WITH HOLDER RED INSCRIPTION:
 EMERGENCY STOP

Actuator:

Design of the product		Complete unit round with positive latching in accordance with ISO 13850
Design of the operating mechanism		Emergency stop mushroom pushbutton
Functionality / of the actuator		Latching
Type of unlocking device		rotate-to-unlatch mechanism
Color / of the activation element		Red
Material / of the activation element		plastic
Number of switching positions		2
Product component / front ring		No
Product function / EMERGENCY STOP function		Yes

Holder:

Material / of the holder		Plastic
---------------------------------	--	---------

Contact block/ lampholder:

Design of the electrical connection		screw-type terminals
Number of switching elements		1
Number of NC contacts / for auxiliary contacts		1
Number of NO contacts / for auxiliary contacts		1
Number of changeover contacts / for auxiliary contacts		0

Product function / positive opening		Yes
Number of lampholders		0
Product component / fluorescent materials		No
Product extension / optional / fluorescent materials		No

Accessories:

Marking / of backing plate		Yellow backing plate, inscription "EMERGENCY STOP"
Product component / holder for 3 switching elements		No

General technical data:

Voltage type / of operating voltage		AC/DC
Operating voltage / rated value		
• minimum	V	5
• maximum	V	400
Operating current		
• at AC-12		
• at 24 V / rated value	A	10
• at 48 V / rated value	A	10
• at 110 V / rated value	A	10
• at 230 V / rated value	A	10
• at 400 V / rated value	A	10
• at AC-15		
• at 24 V / rated value	A	6
• at 48 V / rated value	A	6
• at 110 V / rated value	A	6
• at 230 V / rated value	A	6
• at 400 V / rated value	A	3
• at DC-12		
• at 24 V / rated value	A	10
• at 48 V / rated value	A	5
• at 110 V / rated value	A	2.5
• at 230 V / rated value	A	1
• at DC-13		
• at 24 V / rated value	A	3
• at 48 V / rated value	A	1.5
• at 110 V / rated value	A	0.7
• at 230 V / rated value	A	0.3
Resistance against shock		
• for devices without incandescent lamp / according to IEC 60068-2-27		<= 50g

Resistance against vibration / according to IEC 60068-2-6		20 ... 200 Hz: 5g
Operating cycles / maximum	1/h	1,000
Mechanical operating cycles as operating time / typical		300,000
Reference code		S
<ul style="list-style-type: none"> • according to DIN EN 61346-2 • according to DIN 40719 extended according to IEC 204-2 / according to IEC 750 		S
Tightening torque / of the screws in the bracket / maximum	N-m	1
Ambient temperature		
<ul style="list-style-type: none"> • during operating • during storage 	°C	-25 ... +70
	°C	-40 ... +80
Protection class IP		IP66
B10 value / with high demand rate / according to SN 31920		100,000
Proportion of dangerous failures		
<ul style="list-style-type: none"> • with high demand rate / according to SN 31920 • with low demand rate / according to SN 31920 	%	20
	%	20
Failure rate [FIT] / with low demand rate / according to SN 31920	FIT	100
T1 value / for proof test interval or service life / according to IEC 61508	a	20
climatic class / during the operating phase / according to EN 60721		3K6
Mounting type		front mounting
Shape / of the installation hole		round
Installation width	mm	40.5
Mounting diameter	mm	22
Mounting height	mm	49
Mounting depth	mm	63

Certificates/ approvals:

General Product Approval



EG-Konf.

Test Certificates

[Special Test Certificate](#)

Shipping Approval



ABS



DNV



LRS



PRS



RINA

other

[Confirmation](#)

[other](#)

[Environmental Confirmations](#)

Further information:

Information- and Downloadcenter (Catalogs, Brochures,...)

<http://www.siemens.com/industrial-controls/catalogs>

Industry Mall (Online ordering system)

<http://www.siemens.com/industrial-controls/mall>

Cax online generator

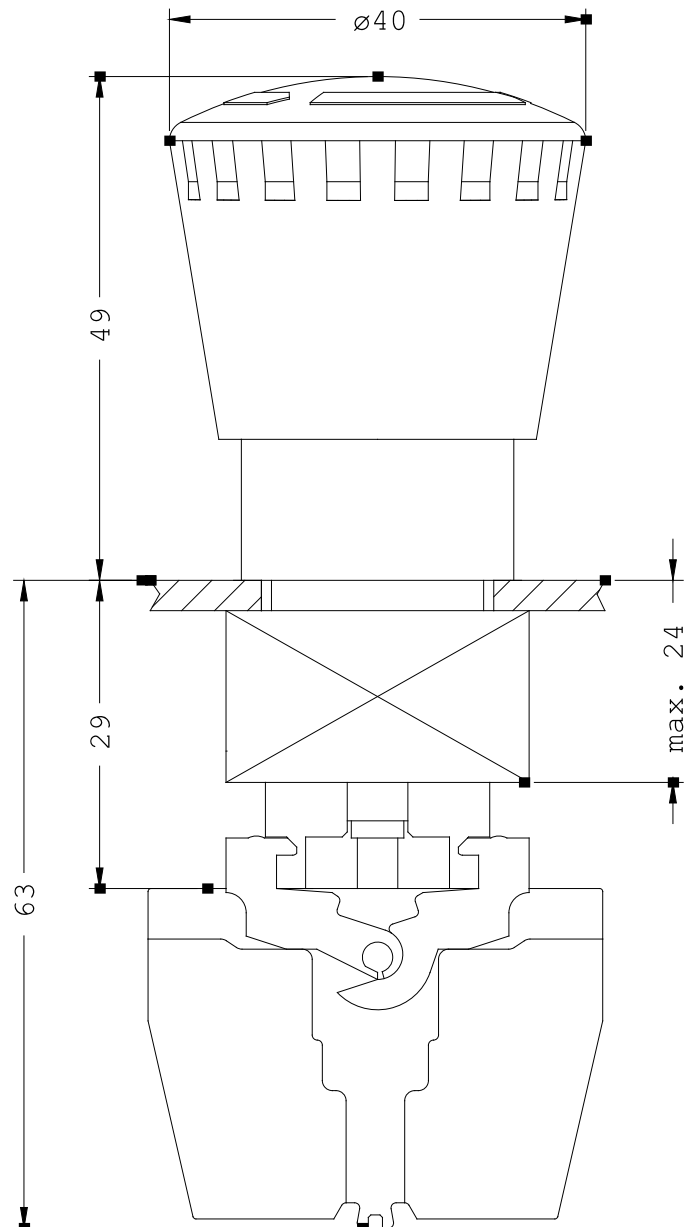
<http://www.siemens.com/cax>

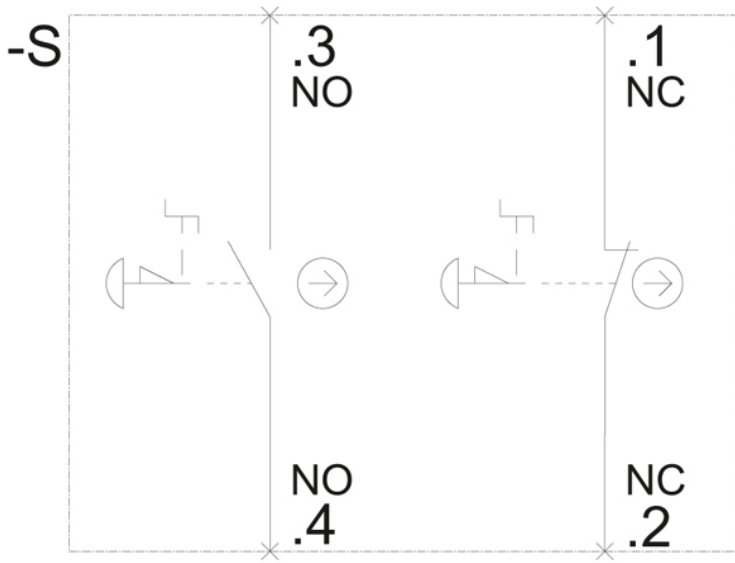
Service&Support (Manuals, Certificates, Characteristics, FAQs,...)

<http://support.automation.siemens.com/WW/view/en/3SB3201-1HR20/all>

Image database (product images, 2D dimension drawings, 3D models, device circuit diagrams, ...)

http://www.automation.siemens.com/bilddb/cax_en.aspx?mlfb=3SB3201-1HR20





last change:

Jul 7, 2014