



22MM PLASTIC ROUND COMPLETE UNIT
 COMBINATION: ILLUMINATED PUSHBUTTON WITH FLAT
 BUTTON ILLUMINATED WITH LAMP HOLDER BA 9S
 WITH LAMP 130V AC/DC SCREW TERMINAL,
 1NO OPERATIONAL VOLTAGE 230/240V AC WITH
 HOLDER CLEAR

Actuator:		
Design of the product		Complete unit round
Design of the operating mechanism		Illuminated pushbutton
Functionality / of the actuator		Momentary contact type
Type of unlocking device		without
Color / of the activation element		Clear
Material / of the activation element		plastic
Shape / of the activation element		Flat pushbutton
Number of switching positions		2
Product component / front ring		Yes
Material / of the front ring		plastic
Color / of the front ring		black
Design of the front ring		Standard
Product function / EMERGENCY STOP function		No

Holder:		
Material / of the holder		Plastic

Contact block/ lampholder:		
Design of the electrical connection		screw-type terminals
Number of switching elements		1

Number of NC contacts / for auxiliary contacts		0
Number of NO contacts / for auxiliary contacts		1
Number of changeover contacts / for auxiliary contacts		0
Product function / positive opening		No
Number of lampholders		1
Execution of the mounting		BA 9s, with lamp
Product component / fluorescent materials		Yes
Product extension / optional / fluorescent materials		Yes

Accessories:

Product component / holder for 3 switching elements

Yes

General technical data:

Type of voltage / of the supply voltage / of light source		AC
Supply voltage / 1 / of the fluorescent material		
• at 60 Hz / for AC / rated value	V	230
• at 50 Hz / for AC / rated value	V	230
Voltage type / of operating voltage		AC/DC
Operating voltage / rated value		
• minimum	V	5
• maximum	V	400
Operating current		
• at AC-12		
• at 24 V / rated value	A	10
• at 48 V / rated value	A	10
• at 110 V / rated value	A	10
• at 230 V / rated value	A	10
• at 400 V / rated value	A	10
• at AC-15		
• at 24 V / rated value	A	6
• at 48 V / rated value	A	6
• at 110 V / rated value	A	6
• at 230 V / rated value	A	6
• at 400 V / rated value	A	3
• at DC-12		
• at 24 V / rated value	A	10
• at 48 V / rated value	A	5
• at 110 V / rated value	A	2.5
• at 230 V / rated value	A	1
• at DC-13		

<ul style="list-style-type: none"> • at 24 V / rated value • at 48 V / rated value • at 110 V / rated value • at 230 V / rated value 	A	3
	A	1.5
	A	0.7
	A	0.3
Resistance against shock		
<ul style="list-style-type: none"> • for devices with incandescent lamp / according to IEC 60068-2-27 		<= 30g
Resistance against vibration / according to IEC 60068-2-6		20 ... 200 Hz: 5g
Operating cycles / maximum	1/h	1,000
Mechanical operating cycles as operating time / typical		3,000,000
Reference code		
<ul style="list-style-type: none"> • according to DIN EN 61346-2 • according to DIN 40719 extended according to IEC 204-2 / according to IEC 750 		S
		S
Tightening torque / of the screws in the bracket / maximum	N·m	1
Ambient temperature		
<ul style="list-style-type: none"> • during operating • during storage 	°C	-25 ... +60
	°C	-40 ... +80
Protection class IP		IP66
climatic class / during the operating phase / according to EN 60721		3K6
Mounting type		front mounting
Shape / of the installation hole		round
Installation width	mm	28.5
Mounting diameter	mm	22
Mounting height	mm	8
Mounting depth	mm	49

Certificates/ approvals:

General Product Approval



[Special Test Certificate](#)

EG-Konf.

Shipping Approval



LRS



PRS



RINA

other

[Confirmation](#)

[other](#)

[Environmental Confirmations](#)

Further information:

Information- and Downloadcenter (Catalogs, Brochures,...)

<http://www.siemens.com/industrial-controls/catalogs>

Industry Mall (Online ordering system)

<http://www.siemens.com/industrial-controls/mall>

Cax online generator

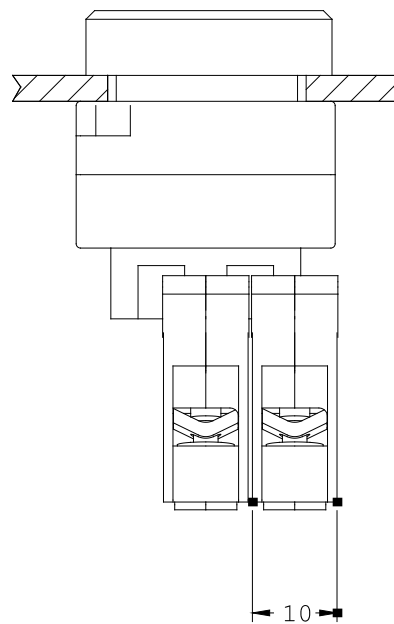
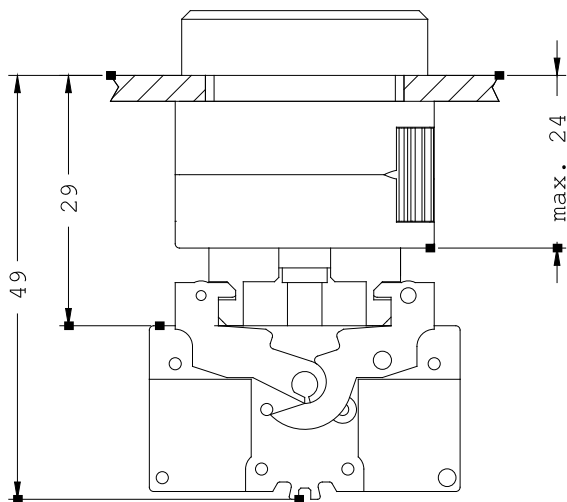
<http://www.siemens.com/cax>

Service&Support (Manuals, Certificates, Characteristics, FAQs,...)

<http://support.automation.siemens.com/WW/view/en/3SB3214-0AA71/all>

Image database (product images, 2D dimension drawings, 3D models, device circuit diagrams, ...)

http://www.automation.siemens.com/bilddb/cax_en.aspx?mlfb=3SB3214-0AA71



last change:

Jul 7, 2014