



22MM PLASTIC ROUND COMPLETE UNIT
COMBINATION: INDICATOR LIGHT WITH CONCENTRIC
RINGS ILLUMINATED WITH INTEGRATED LED 110V AC
SCREW TERMINAL WITH HOLDER WHITE

Actuator / signaling device:		
Design of the product		Complete unit, round
Design of the operating mechanism		indicator light
Color / of the activation element		White
Material / of the activation element		plastic
Shape / of the activation element		Concentric rings
Number of switching positions		0
Product component / front ring		No
Product function / EMERGENCY STOP function		No

Holder:		
Material / of the holder		Plastic

Contact block / lampholder		
Design of the electrical connection		screw-type terminals
Number of switching elements		0
Number of NC contacts / for auxiliary contacts		0
Number of NO contacts / for auxiliary contacts		0
Number of change-over switches / for auxiliary contacts		0
Product function / positive opening		No
Number of lampholders		1

Execution of the mounting		integrated LED
Product component / fluorescent materials		Yes
Product extension / optional / fluorescent materials		Yes

Accessories:

Product component / holder for 3 switching elements

No

General technical details:

Type of voltage / of the supply voltage / of the fluorescent material		AC
• of the fluorescent material / at 60 Hz / for AC / rated value	V	110
• of the fluorescent material / at 50 Hz / for AC / rated value	V	110
Type of voltage / of the operating voltage		AC
Operating voltage / rated value		
• minimum	V	100
• maximum	V	130
Resistance against shock		
• for devices without incandescent lamp / according to IEC 60068-2-27		<= 50g
Resistance against vibration / according to IEC 60068-2-6		20 ... 200 Hz: 5g
Item designation		
• according to DIN EN 61346-2		P
• according to DIN 40719 extendable after IEC 204-2 / according to IEC 750		H
Tightening torque / of the screws in the bracket / maximum	N·m	1
Ambient temperature		
• during operating	°C	-25 ... +70
• during storage	°C	-40 ... +80
Protection class IP		IP66
climatic class / during the operating phase / according to EN 60721		3K6
Type of mounting		front mounting
Shape / of the installation hole		round
Installation width	mm	28
Mounting diameter	mm	22
Mounting height	mm	11
Mounting depth	mm	49

Certificates/approvals:

General Product Approval

CSA



GOST



UL



EG-Konf.

Test Certificates[Special Test Certificate](#)**Shipping Approval**

ABS



DNV



LRS

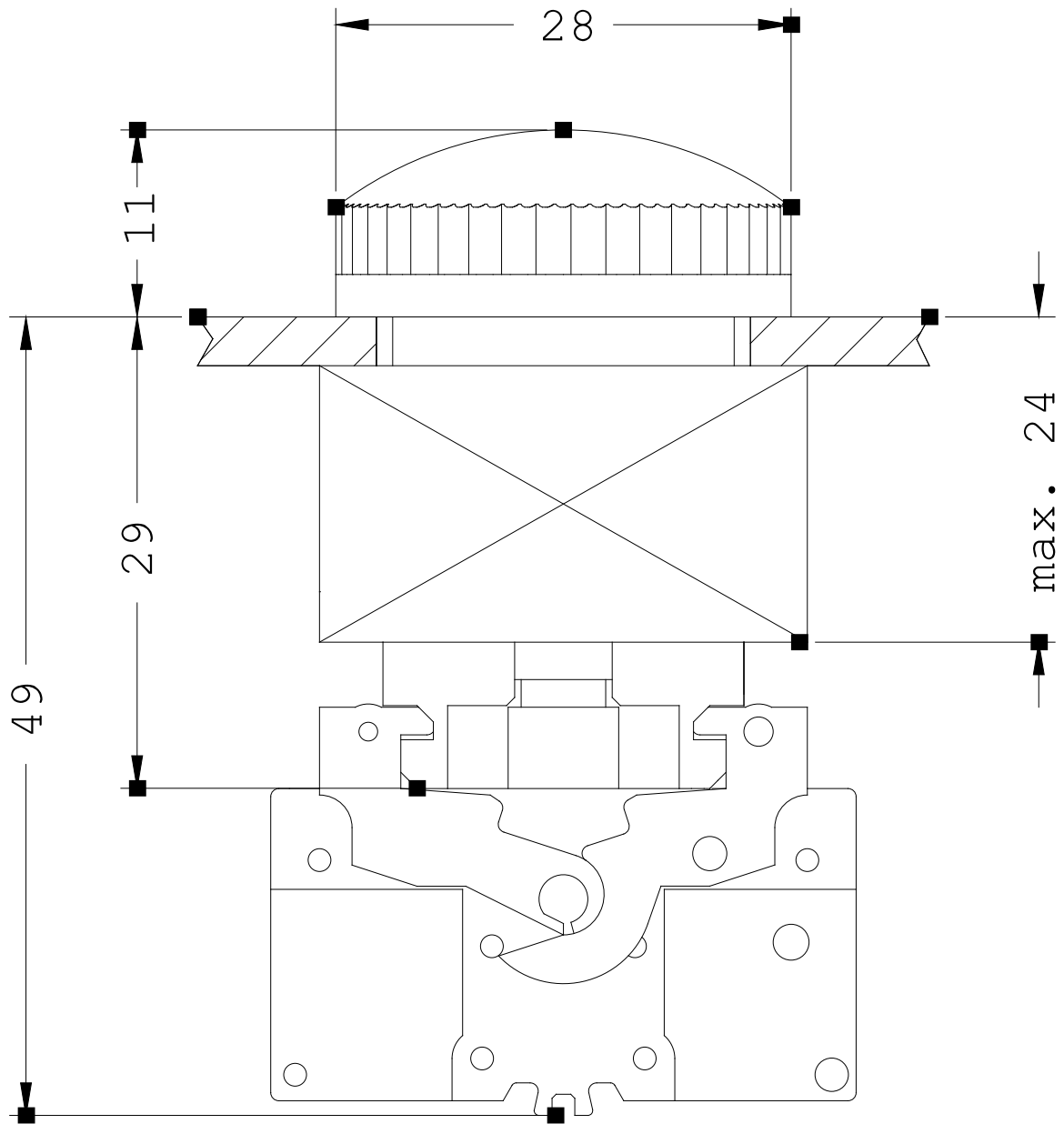


PRS



RINA

other[Confirmation](#)[other](#)[Environmental Confirmations](#)**Further information:****Information- and Downloadcenter (Catalogs, Brochures,...)**<http://www.siemens.com/industrial-controls/catalogs>**Industry Mall (Online ordering system)**<http://www.siemens.com/industrial-controls/mall>**Cax online generator:**<http://www.siemens.com/cax>**Service&Support (Manuals, Certificates, Characteristics, FAQs,...)**<http://support.automation.siemens.com/WWW/view/en/3SB3248-6BA60/all>**Image database (product images, 2D dimension drawings, 3D models, device circuit diagrams, ...)**http://www.automation.siemens.com/bilddb/cax_en.aspx?mlfb=3SB3248-6BA60



last change:

Jan 21, 2013