



22MM PLASTIC ROUND COMPLETE UNIT
 COMBINATION: ILLUMINATED PUSHBUTTON
 MOMENTARY CONTACT TYPE WITH FLAT BUTTON
 ILLUMINATED WITH INTEGRATED LED 110V AC SCREW
 TERMINAL,
 1NO+1NC WITH HOLDER WHITE

Actuator / signaling device:

Design of the product	Complete unit, round
Design of the operating mechanism	Illuminated pushbutton
Type of unlocking device	without
Color / of the activation element	White
Material / of the activation element	plastic
Shape / of the activation element	Flat pushbutton
Number of switching positions	2
Product component / front ring	Yes
Material / of the front ring	plastic
Color / of the front ring	black
Design of the front ring	Standard
Product function / EMERGENCY STOP function	No

Holder:

Material / of the holder	Plastic
---------------------------------	---------

Contact block / lampholder

Design of the electrical connection	screw-type terminals
Number of switching elements	1
Number of NC contacts / for auxiliary contacts	1

Number of NO contacts / for auxiliary contacts		1
Number of change-over switches / for auxiliary contacts		0
Product function / positive opening		Yes
Number of lampholders		1
Execution of the mounting		integrated LED
Product component / fluorescent materials		Yes
Product extension / optional / fluorescent materials		Yes

Accessories:

Product component / holder for 3 switching elements		Yes
--	--	-----

General technical details:

Type of voltage / of the supply voltage / of the fluorescent material		AC
• of the fluorescent material / at 60 Hz / for AC / rated value	V	110
• of the fluorescent material / at 50 Hz / for AC / rated value	V	110
Type of voltage / of the operating voltage		AC
Operating voltage / rated value		
• minimum	V	100
• maximum	V	130
Operating current		
• at AC-12		
• at 24 V / rated value	A	10
• at 48 V / rated value	A	10
• at 110 V / rated value	A	10
• at 230 V / rated value	A	10
• at 400 V / rated value	A	10
• at AC-15		
• at 24 V / rated value	A	6
• at 48 V / rated value	A	6
• at 110 V / rated value	A	6
• at 230 V / rated value	A	6
• at 400 V / rated value	A	3
• at DC-12		
• at 24 V / rated value	A	10
• at 48 V / rated value	A	5
• at 110 V / rated value	A	2.5
• at 230 V / rated value	A	1
• at DC-13		
• at 24 V / rated value	A	3
• at 48 V / rated value	A	1.5

• at 110 V / rated value	A	0.7
• at 230 V / rated value	A	0.3
Resistance against shock		
• for devices without incandescent lamp / according to IEC 60068-2-27		<= 50g
Resistance against vibration / according to IEC 60068-2-6		20 ... 200 Hz: 5g
Operating cycles / maximum	1/h	1,000
Mechanical operating cycles as operating time / typical		3,000,000
Item designation		
• according to DIN EN 61346-2		S
• according to DIN 40719 extendable after IEC 204-2 / according to IEC 750		S
Tightening torque / of the screws in the bracket / maximum	N·m	1
Ambient temperature		
• during operating	°C	-25 ... +70
• during storage	°C	-40 ... +80
Protection class IP		IP66
climatic class / during the operating phase / according to EN 60721		3K6
Type of mounting		front mounting
Shape / of the installation hole		round
Installation width	mm	28.5
Mounting diameter	mm	22
Mounting height	mm	8
Mounting depth	mm	63

Certificates/approvals:

General Product Approval



CSA



GOST



UL



EG-Konf.

Test Certificates

[Special Test Certificate](#)

Shipping Approval



ABS



DNV



LRS



PRS



RINA

other

[Confirmation](#)

[other](#)

[Environmental Confirmations](#)

Further information:

Information- and Downloadcenter (Catalogs, Brochures,...)

<http://www.siemens.com/industrial-controls/catalogs>

Industry Mall (Online ordering system)

<http://www.siemens.com/industrial-controls/mall>

Cax online generator:

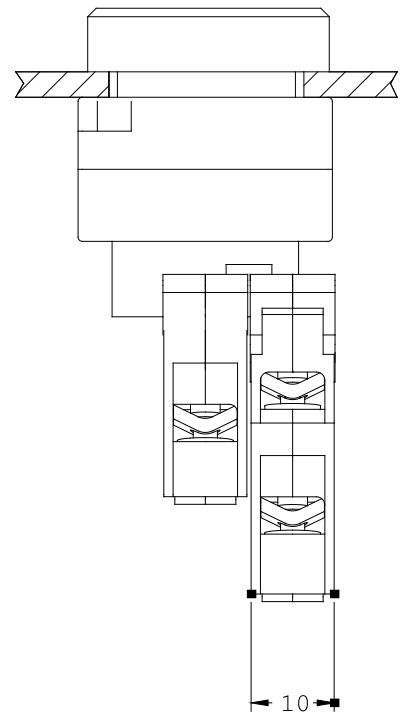
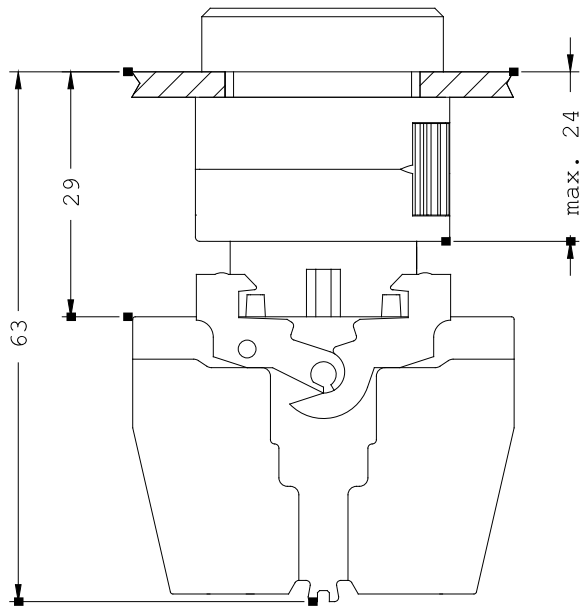
<http://www.siemens.com/cax>

Service&Support (Manuals, Certificates, Characteristics, FAQs,...)

<http://support.automation.siemens.com/WW/view/en/3SB3251-0AA61/all>

Image database (product images, 2D dimension drawings, 3D models, device circuit diagrams, ...)

http://www.automation.siemens.com/bilddb/cax_en.aspx?mlfb=3SB3251-0AA61



last change:

Jan 21, 2013