

ACTUATOR-/INDICATOR COMPONENT WITH INTEGRATED LED 230V AC LAMP HOLDER SPRING-LOADED TERMINAL YELLOW FOR MOUNTING ON FRONT PLATE

| Contact block/ lampholder: | |
|--|-------------------------|
| Product designation | lampholder |
| Number of NC contacts / for auxiliary contacts | 0 |
| Number of NO contacts / for auxiliary contacts | 0 |
| Number of changeover contacts / for auxiliary contacts | 0 |
| Product function / positive opening | No |
| Number of lampholders | 1 |
| Execution of the mounting | integrated |
| Nature of fluorescent material | LED |
| Color / of the fluorescent material | yellow |
| Design of the electrical connection | spring-loaded terminals |

| General technical data: | |
|---|---------|
| Degree of pollution | class 3 |
| Type of voltage / of the supply voltage / of light source | AC |
| Supply voltage / 1 / of the fluorescent material | |
| <ul style="list-style-type: none"> at 60 Hz / for AC / rated value | V 230 |
| <ul style="list-style-type: none"> at 50 Hz / for AC / rated value | V 230 |
| Voltage type / of operating voltage | AC |
| Reference code | |
| <ul style="list-style-type: none"> according to DIN EN 61346-2 | P |

| | | |
|---|----|----------------|
| <ul style="list-style-type: none"> • according to DIN 40719 extended according to IEC 204-2 / according to IEC 750 | | H |
| Ambient temperature | | |
| <ul style="list-style-type: none"> • during operating | °C | -25 ... +70 |
| <ul style="list-style-type: none"> • during storage | °C | -25 ... +80 |
| protection type IP | | |
| <ul style="list-style-type: none"> • of the terminal | | IP20 |
| <ul style="list-style-type: none"> • of the enclosure | | IP40 |
| Operating voltage / 1 / at 50 Hz / for AC / rated value | V | 230 |
| Operating voltage / 1 / at 60 Hz / for AC / rated value | V | 230 |
| Suitability for integration | | |
| <ul style="list-style-type: none"> • pressure selection button | | Yes |
| <ul style="list-style-type: none"> • front element | | Yes |
| <ul style="list-style-type: none"> • suspension switch | | Yes |
| <ul style="list-style-type: none"> • suspension pushbutton | | Yes |
| Insulation voltage / rated value | V | 400 |
| Impulse voltage resistance / rated value | kV | 4 |
| Product component | | |
| <ul style="list-style-type: none"> • fluorescent materials | | Yes |
| <ul style="list-style-type: none"> • diode | | Yes |
| <ul style="list-style-type: none"> • lamp transformer | | No |
| <ul style="list-style-type: none"> • series resistance | | No |
| Mounting type | | front mounting |
| Width | mm | 10 |
| Height | mm | 30 |
| Depth | mm | 20.7 |

Connections/ terminals:

| | | |
|--|--|-------------------------------------|
| Type of the connectable conductor cross-section | | |
| <ul style="list-style-type: none"> • for auxiliary contacts / solid | | 2x (0.25 ... 1.5 mm ²) |
| <ul style="list-style-type: none"> • for auxiliary contacts / finely stranded / with conductor end processing | | 2x (0.25 ... 0.75 mm ²) |
| <ul style="list-style-type: none"> • for auxiliary contacts / finely stranded / without conductor final cutting | | 2x (0.25 ... 1.5 mm ²) |
| <ul style="list-style-type: none"> • for AWG conductors / for auxiliary contacts | | 2x (24 ... 16) |

Certificates/ approvals:

General Product Approval**Declaration of
Conformity****Test Certificates**

CCC

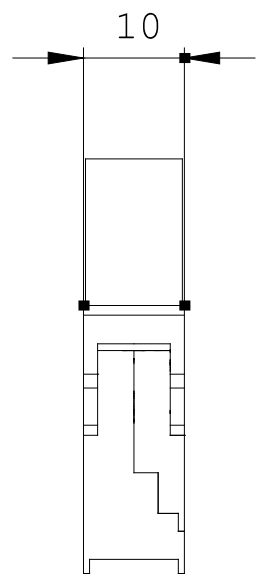
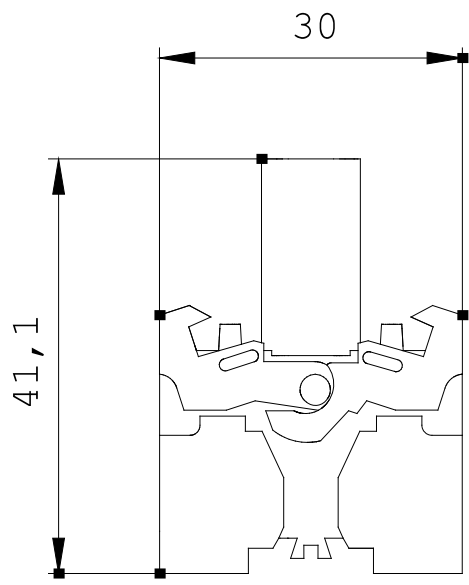


CSA

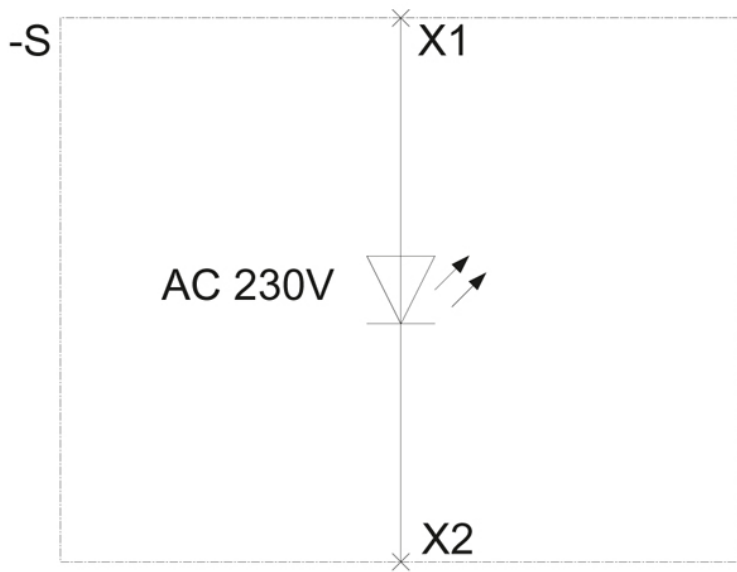


EG-Konf.

[Special Test
Certificate](#)**other**[Confirmation](#)[Environmental
Confirmations](#)**Further information:****Information- and Downloadcenter (Catalogs, Brochures,...)**<http://www.siemens.com/industrial-controls/catalogs>**Industry Mall (Online ordering system)**<http://www.siemens.com/industrial-controls/mall>**Cax online generator**<http://www.siemens.com/cax>**Service&Support (Manuals, Certificates, Characteristics, FAQs,...)**<http://support.automation.siemens.com/WWW/view/en/3SB3403-1RA/all>**Image database (product images, 2D dimension drawings, 3D models, device circuit diagrams, ...)**http://www.automation.siemens.com/bilddb/cax_en.aspx?mlfb=3SB3403-1RA



\p
\p



last change:

Jul 7, 2014