



COMPONENT FOR ENCLOSURE,
22MM LAMP HOLDER WITH INTEGRATED LED 230V AC
RATED VOLTAGE 230V AC SPRING-LOADED TERMINAL
BLUE

Contact block/ lampholder:

Product designation		lampholder
Number of NC contacts / for auxiliary contacts		0
Number of NO contacts / for auxiliary contacts		0
Number of changeover contacts / for auxiliary contacts		0
Product function / positive opening		No
Number of lampholders		1
Execution of the mounting		integrated
Nature of fluorescent material		LED
Color / of the fluorescent material		blue
Design of the electrical connection		spring-loaded terminals

General technical data:

Degree of pollution		class 3
Type of voltage / of the supply voltage / of light source		AC
Supply voltage / 1 / of the fluorescent material		
<ul style="list-style-type: none"> • at 60 Hz / for AC / rated value 	V	230
<ul style="list-style-type: none"> • at 50 Hz / for AC / rated value 	V	230
Voltage type / of operating voltage		AC
Reference code		
<ul style="list-style-type: none"> • according to DIN EN 61346-2 		P

<ul style="list-style-type: none"> • according to DIN 40719 extended according to IEC 204-2 / according to IEC 750 		H
Ambient temperature		
<ul style="list-style-type: none"> • during operating 	°C	-25 ... +70
<ul style="list-style-type: none"> • during storage 	°C	-25 ... +80
protection type IP		
<ul style="list-style-type: none"> • of the terminal 		IP20
<ul style="list-style-type: none"> • of the enclosure 		IP40
Operating voltage / 1 / at 50 Hz / for AC / rated value	V	230
Operating voltage / 1 / at 60 Hz / for AC / rated value	V	230
Suitability for integration		
<ul style="list-style-type: none"> • pressure selection button 		Yes
<ul style="list-style-type: none"> • front element 		Yes
<ul style="list-style-type: none"> • suspension switch 		Yes
<ul style="list-style-type: none"> • suspension pushbutton 		Yes
Insulation voltage / rated value	V	400
Impulse voltage resistance / rated value	kV	4
Product component		
<ul style="list-style-type: none"> • fluorescent materials 		Yes
<ul style="list-style-type: none"> • diode 		Yes
<ul style="list-style-type: none"> • lamp transformer 		No
<ul style="list-style-type: none"> • series resistance 		No
Mounting type		floor mounting
Width	mm	10
Height	mm	49
Depth	mm	28

Connections/ terminals:

Type of the connectable conductor cross-section		
<ul style="list-style-type: none"> • for auxiliary contacts / solid 		2x (0.25 ... 1.5 mm ²)
<ul style="list-style-type: none"> • for auxiliary contacts / finely stranded / with conductor end processing 		2x (0.25 ... 0.75 mm ²)
<ul style="list-style-type: none"> • for auxiliary contacts / finely stranded / without conductor final cutting 		2x (0.25 ... 1.5 mm ²)
<ul style="list-style-type: none"> • for AWG conductors / for auxiliary contacts 		2x (24 ... 16)

Certificates/ approvals:

General Product Approval

Declaration of
Conformity

Test Certificates



CCC



CSA



EG-Konf.

[Special Test
Certificate](#)

other

[Confirmation](#)

[Environmental
Confirmations](#)

Further information:

Information- and Downloadcenter (Catalogs, Brochures,...)

<http://www.siemens.com/industrial-controls/catalogs>

Industry Mall (Online ordering system)

<http://www.siemens.com/industrial-controls/mall>

Cax online generator

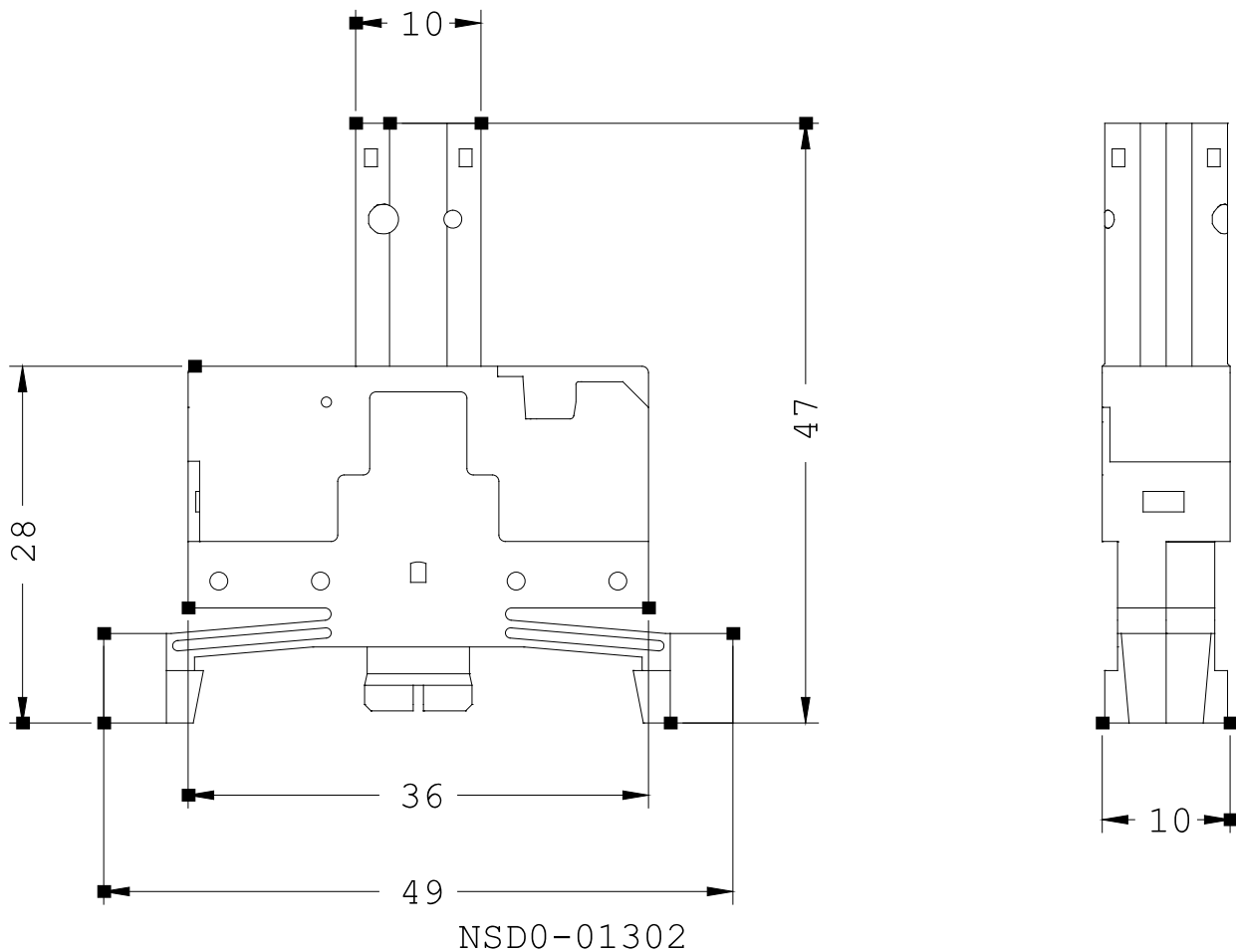
<http://www.siemens.com/cax>

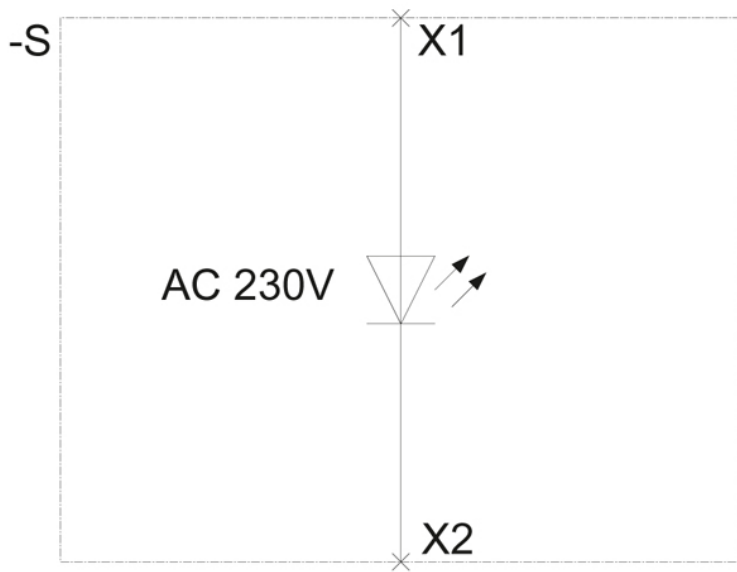
Service&Support (Manuals, Certificates, Characteristics, FAQs,...)

<http://support.automation.siemens.com/WW/view/en/3SB3423-1RD/all>

Image database (product images, 2D dimension drawings, 3D models, device circuit diagrams, ...)

http://www.automation.siemens.com/bilddb/cax_en.aspx?mlfb=3SB3423-1RD





last change:

Jul 7, 2014