

ROUND ACTUATOR KNOB,
I-O-II LATCHING ON RIGHT,
MOMENT. CONTACT ON LEFT ACTUATING ANGLE 2 X
50 DEGR. W. HOLDER,
NOT ILLUMIN., METAL,
BLACK SOLVENT-RESISTANT

Actuator:

Design of the product		Single device round
Design of the operating mechanism		selector switch
External diameter / of the activation element	mm	28.5
Functionality / of the actuator		Momentary contact (left), latching (right)
Type of unlocking device		rotate-to-unlatch mechanism
Color / of the activation element		black
Material / of the activation element		plastic
Number of switching positions		3
Actuating angle		
• clockwise	°	50
• anticlockwise	°	50
Product component / front ring		Yes
Material / of the front ring		metal
Color / of the front ring		silver
Design of the front ring		Standard
Product function / EMERGENCY STOP function		No

Holder:

Material / of the holder		Metal
---------------------------------	--	-------

General technical data:

Resistance against shock		
<ul style="list-style-type: none"> for devices without incandescent lamp / according to IEC 60068-2-27 		<= 50g
Resistance against vibration / according to IEC 60068-2-6		20 ... 200 Hz: 5g
Operating cycles / maximum	1/h	1,000
Mechanical operating cycles as operating time / typical		300,000
Product extension / optional / fluorescent materials		No
Reference code		
<ul style="list-style-type: none"> according to DIN EN 61346-2 		S
<ul style="list-style-type: none"> according to DIN 40719 extended according to IEC 204-2 / according to IEC 750 		S
Tightening torque / of the screws in the bracket / maximum	N-m	1
Ambient temperature		
<ul style="list-style-type: none"> during operating 	°C	-25 ... +70
<ul style="list-style-type: none"> during storage 	°C	-40 ... +80
Protection class IP		IP67
climatic class / during the operating phase / according to EN 60721		3K6
Mounting type		front mounting
Shape / of the installation hole		round
Installation width	mm	28.5
Mounting diameter	mm	22
Mounting height	mm	24
Mounting depth	mm	29

Certificates/ approvals:

General Product Approval



UL



EG-Konf.

Declaration of Conformity

Shipping Approval



ABS



DNV



LRS



PRS



RINA

other

[Confirmation](#)

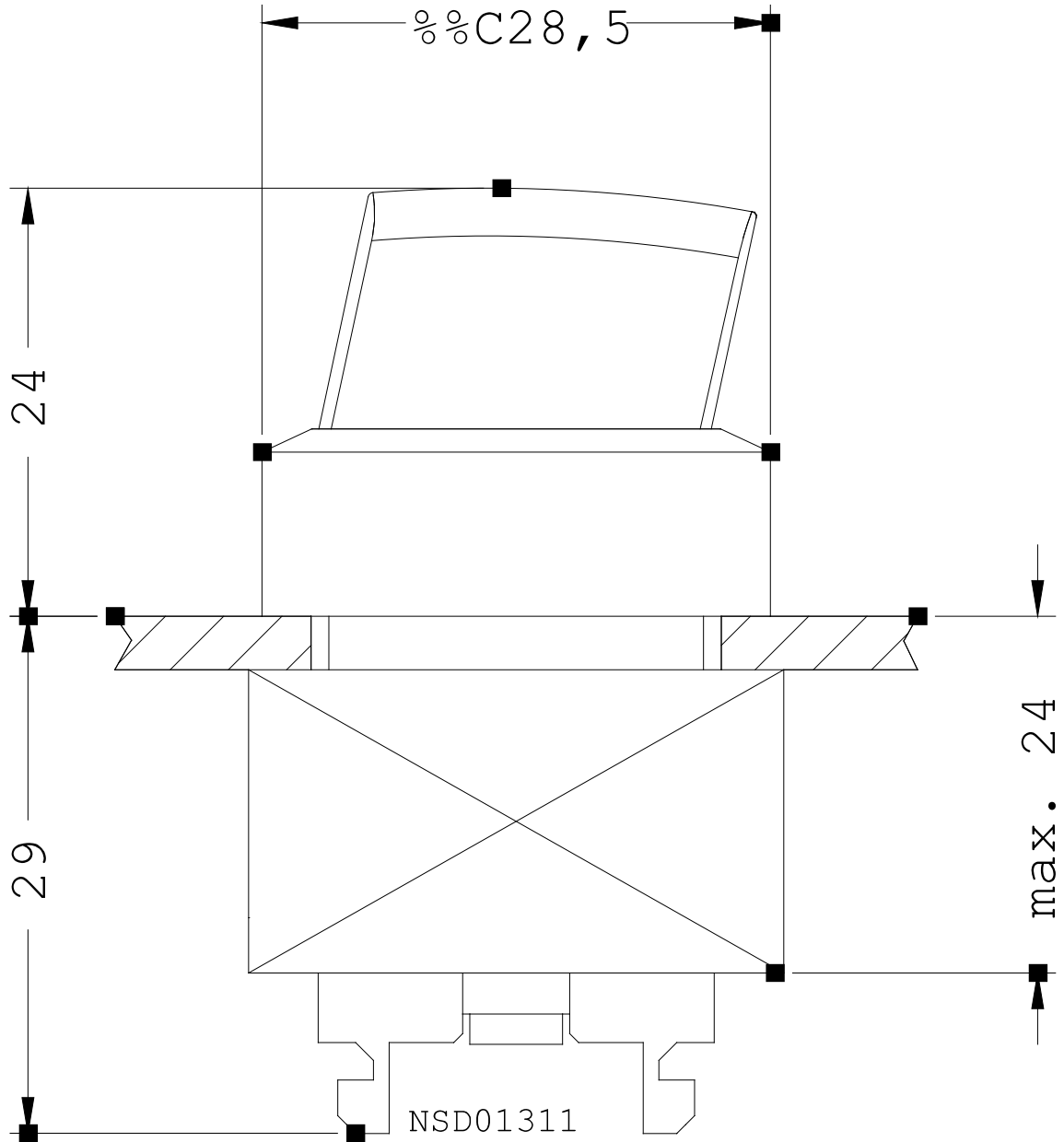
Further information:

Information- and Downloadcenter (Catalogs, Brochures,...)

<http://www.siemens.com/industrial-controls/catalogs>

Industry Mall (Online ordering system)

<http://www.siemens.com/industrial-controls/mall>



last change:

Jul 7, 2014