

22MM METAL ROUND ACTUATOR: SELECTOR SWITCH LATCHING 3 SWITCH POSITIONS I-O-II NON-ILLUMINATED WITH HOLDER RED

Actuator:		
Design of the product		Single device round
Design of the operating mechanism		selector switch heavy-duty version
External diameter / of the activation element	mm	28.5
Functionality / of the actuator		Latching
Type of unlocking device		rotate-to-unlatch mechanism
Color / of the activation element		Red
Material / of the activation element		plastic
Number of switching positions		3
Actuating angle		
• clockwise	°	50
• anticlockwise	°	50
Product component / front ring		Yes
Material / of the front ring		metal
Color / of the front ring		silver
Design of the front ring		Standard
Product function / EMERGENCY STOP function		No
Holder:		
Material / of the holder		Metal

### General technical data:

<b>Resistance against shock</b>		
<ul style="list-style-type: none"> <li>for devices without incandescent lamp / according to IEC 60068-2-27</li> </ul>		<= 50g
<b>Resistance against vibration / according to IEC 60068-2-6</b>		20 ... 200 Hz: 5g
<b>Operating cycles / maximum</b>	1/h	1,000
<b>Mechanical operating cycles as operating time / typical</b>		300,000
<b>Product extension / optional / fluorescent materials</b>		No
<b>Reference code</b>		
<ul style="list-style-type: none"> <li>according to DIN EN 61346-2</li> </ul>		S
<ul style="list-style-type: none"> <li>according to DIN 40719 extended according to IEC 204-2 / according to IEC 750</li> </ul>		S
<b>Tightening torque / of the screws in the bracket / maximum</b>	N·m	1
<b>Ambient temperature</b>		
<ul style="list-style-type: none"> <li>during operating</li> </ul>	°C	-25 ... +70
<ul style="list-style-type: none"> <li>during storage</li> </ul>	°C	-40 ... +80
<b>Protection class IP</b>		IP67
<b>climatic class / during the operating phase / according to EN 60721</b>		3K6
<b>Mounting type</b>		front mounting
<b>Shape / of the installation hole</b>		round
<b>Installation width</b>	mm	28.5
<b>Mounting diameter</b>	mm	22
<b>Mounting height</b>	mm	28
<b>Mounting depth</b>	mm	29

### Certificates/ approvals:

#### General Product Approval



[Special Test Certificate](#)

EG-Konf.

#### Shipping Approval



#### other

[Confirmation](#)

[other](#)

[Environmental Confirmations](#)

### Further information:

Information- and Downloadcenter (Catalogs, Brochures,...)

<http://www.siemens.com/industrial-controls/catalogs>

Industry Mall (Online ordering system)

<http://www.siemens.com/industrial-controls/mall>

Cax online generator

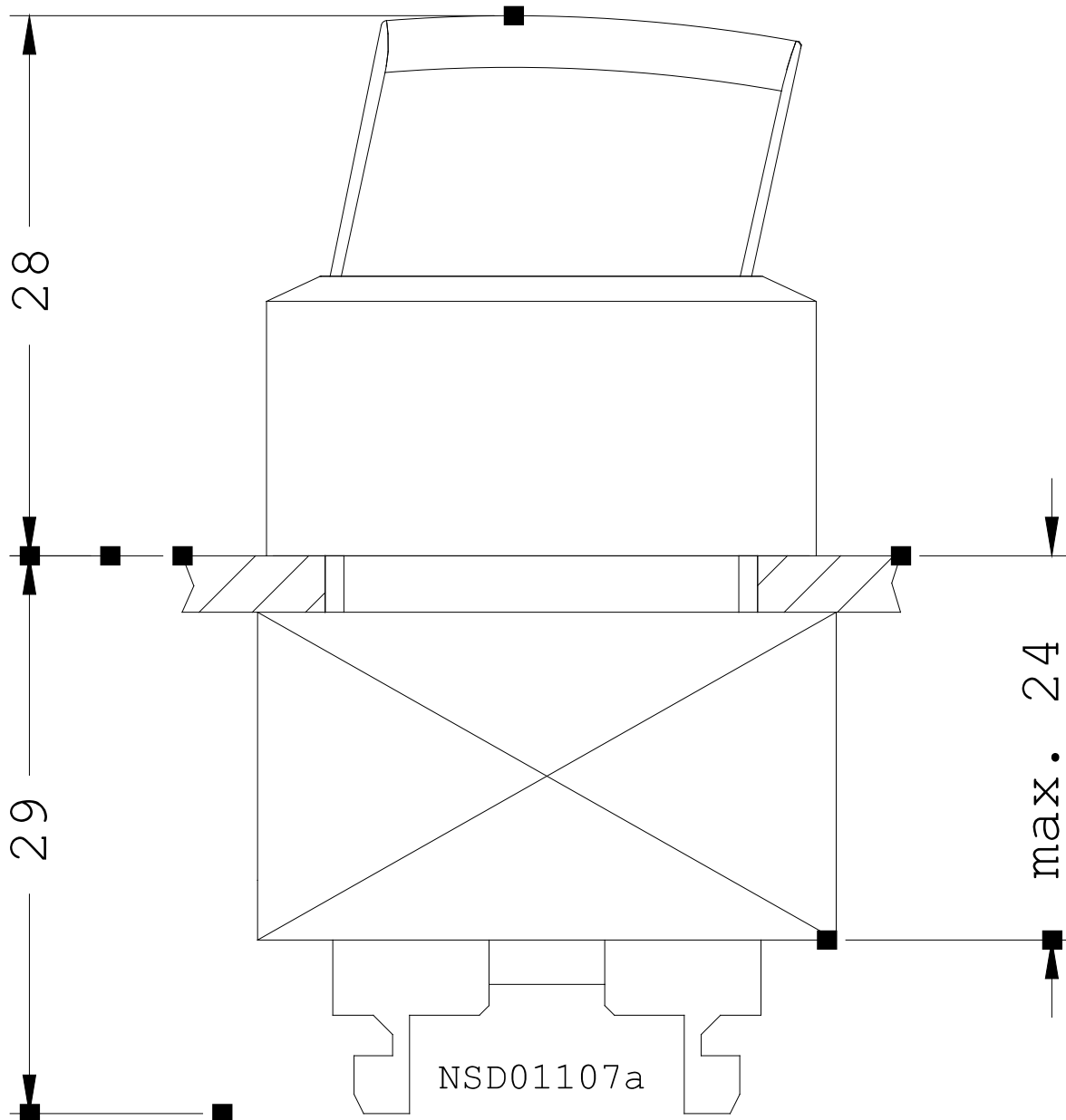
<http://www.siemens.com/cax>

Service&Support (Manuals, Certificates, Characteristics, FAQs,...)

<http://support.automation.siemens.com/WW/view/en/3SB3500-2SA21/all>

Image database (product images, 2D dimension drawings, 3D models, device circuit diagrams, ...)

[http://www.automation.siemens.com/bilddb/cax\\_en.aspx?mlfb=3SB3500-2SA21](http://www.automation.siemens.com/bilddb/cax_en.aspx?mlfb=3SB3500-2SA21)



last change:

Jul 7, 2014