

22MM METAL ROUND ACTUATOR: SELECTOR SWITCH
HEAVY DUTY RIGHT LATCH.,LE.MOMEN.CONT.TYPE 3
SWITCH POSITIONS I-O-II NON-ILLUMINATED WITH
HOLDER RED

Actuator:		
Design of the product		Single device round
Design of the operating mechanism		selector switch
External diameter / of the activation element	mm	28.5
Functionality / of the actuator		Momentary contact (left), latching (right)
Type of unlocking device		rotate-to-unlatch mechanism
Color / of the activation element		Red
Material / of the activation element		plastic
Number of switching positions		3
Actuating angle		
• clockwise	°	50
• anticlockwise	°	50
Product component / front ring		Yes
Material / of the front ring		metal
Color / of the front ring		silver
Design of the front ring		Standard
Product function / EMERGENCY STOP function		No

Holder:		
Material / of the holder		Metal

General technical data:		
Resistance against shock		
• for devices without incandescent lamp / according to IEC 60068-2-27		<= 50g
Resistance against vibration / according to IEC 60068-2-6		20 ... 200 Hz: 5g
Operating cycles / maximum	1/h	1,000
Mechanical operating cycles as operating time / typical		300,000
Product extension / optional / fluorescent materials		No
Reference code		
• according to DIN EN 61346-2		S
• according to DIN 40719 extended according to IEC 204-2 / according to IEC 750		S

Tightening torque / of the screws in the bracket / maximum	N-m	1
Ambient temperature		
• during operating	°C	-25 ... +70
• during storage	°C	-40 ... +80
Protection class IP		IP67
climatic class / during the operating phase / according to EN 60721		3K6
Mounting type		front mounting
Shape / of the installation hole		round
Installation width	mm	28.5
Mounting diameter	mm	22
Mounting height	mm	28
Mounting depth	mm	29

Certificates/ approvals:

General Product Approval



Test Certificates

[Special Test Certificate](#)

Shipping Approval



other

[Confirmation](#)

[other](#)

[Environmental Confirmations](#)

Further information:

Information- and Downloadcenter (Catalogs, Brochures,...)

<http://www.siemens.com/industrial-controls/catalogs>

Industry Mall (Online ordering system)

<http://www.siemens.com/industrial-controls/mall>

Cax online generator

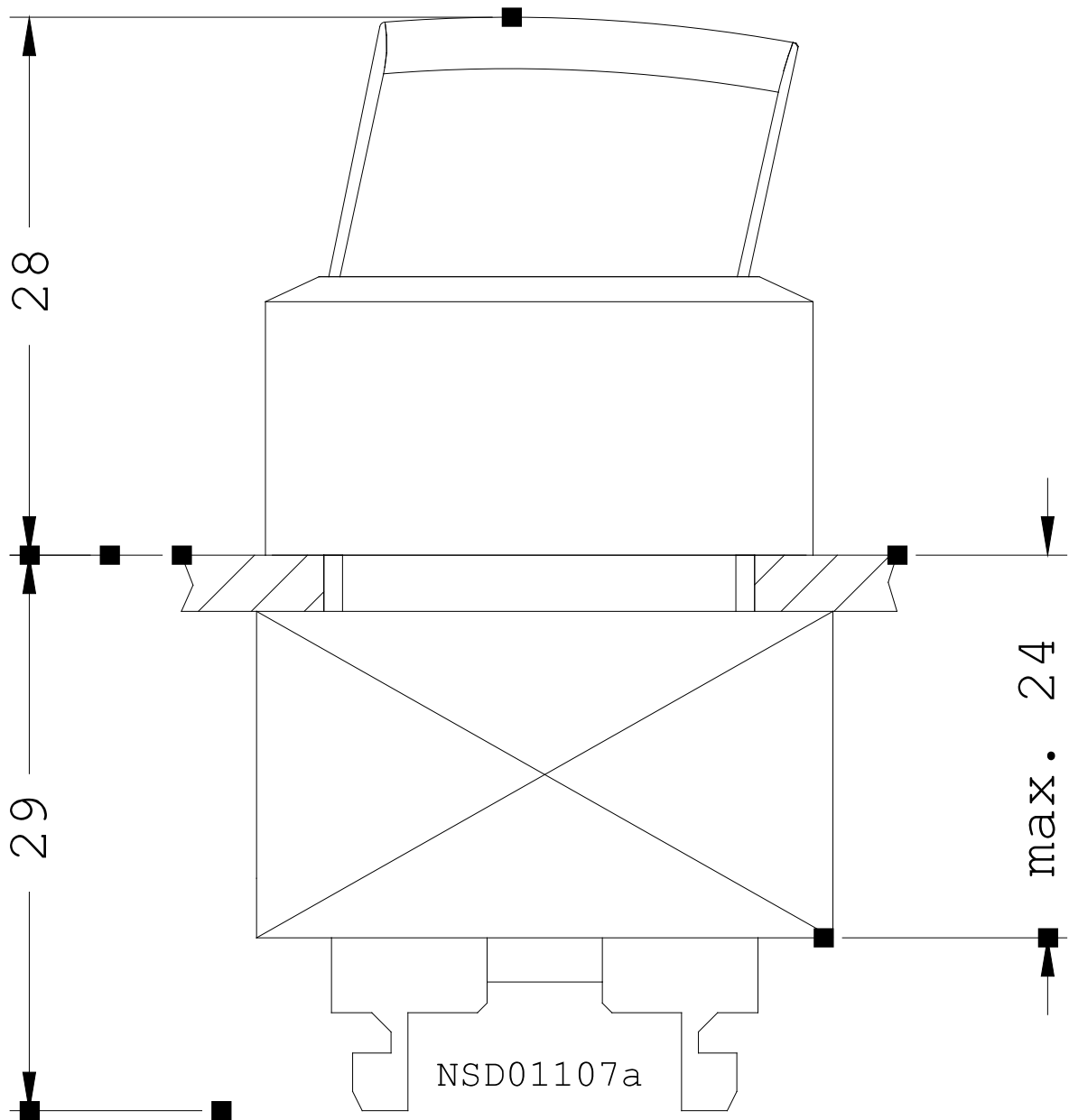
<http://www.siemens.com/cax>

Service&Support (Manuals, Certificates, Characteristics, FAQs,...)

<http://support.automation.siemens.com/WWW/view/en/3SB3500-2VA21/all>

Image database (product images, 2D dimension drawings, 3D models, device circuit diagrams, ...)

http://www.automation.siemens.com/bilddb/cax_en.aspx?mlfb=3SB3500-2VA21



last change:

Jul 7, 2014