

22MM METAL ROUND ACTUATOR: SELECTOR SWITCH  
LONG HANDLE LATCHING 3 SWITCH POSITIONS I-O-II  
NON-ILLUMINATED WITH HOLDER RED

Actuator:		
Design of the product		Single device round
Design of the operating mechanism		selector switch
External diameter / of the activation element	mm	28.5
Functionality / of the actuator		Latching
Type of unlocking device		rotate-to-unlatch mechanism
Color / of the activation element		Red
Material / of the activation element		plastic
Shape / of the activation element		Extended handle
Number of switching positions		3
Actuating angle		
• clockwise	°	50
• anticlockwise	°	50
Product component / front ring		Yes
Material / of the front ring		metal
Color / of the front ring		silver
Design of the front ring		Standard
Product function / EMERGENCY STOP function		No

Holder:		
Material / of the holder		Metal

General technical data:		
Resistance against shock		
• for devices without incandescent lamp / according to IEC 60068-2-27		<= 50g
Resistance against vibration / according to IEC 60068-2-6		20 ... 200 Hz: 5g
Operating cycles / maximum	1/h	1,000
Mechanical operating cycles as operating time / typical		300,000
Product extension / optional / fluorescent materials		No
Reference code		
• according to DIN EN 61346-2		S

<ul style="list-style-type: none"> <li>according to DIN 40719 extended according to IEC 204-2 / according to IEC 750</li> </ul>		S
<b>Tightening torque / of the screws in the bracket / maximum</b>	N-m	1
<b>Ambient temperature</b>		
<ul style="list-style-type: none"> <li>during operating</li> </ul>	°C	-25 ... +70
<ul style="list-style-type: none"> <li>during storage</li> </ul>	°C	-40 ... +80
<b>Protection class IP</b>		IP67
<b>climatic class / during the operating phase / according to EN 60721</b>		3K6
<b>Mounting type</b>		front mounting
<b>Shape / of the installation hole</b>		round
<b>Installation width</b>	mm	37
<b>Mounting diameter</b>	mm	22
<b>Mounting height</b>	mm	28
<b>Mounting depth</b>	mm	29

#### Certificates/ approvals:

##### General Product Approval



[Special Test Certificate](#)

##### Shipping Approval



##### other

[Confirmation](#)

[other](#)

[Environmental Confirmations](#)

#### Further information:

##### Information- and Downloadcenter (Catalogs, Brochures,...)

<http://www.siemens.com/industrial-controls/catalogs>

##### Industry Mall (Online ordering system)

<http://www.siemens.com/industrial-controls/mall>

##### Cax online generator

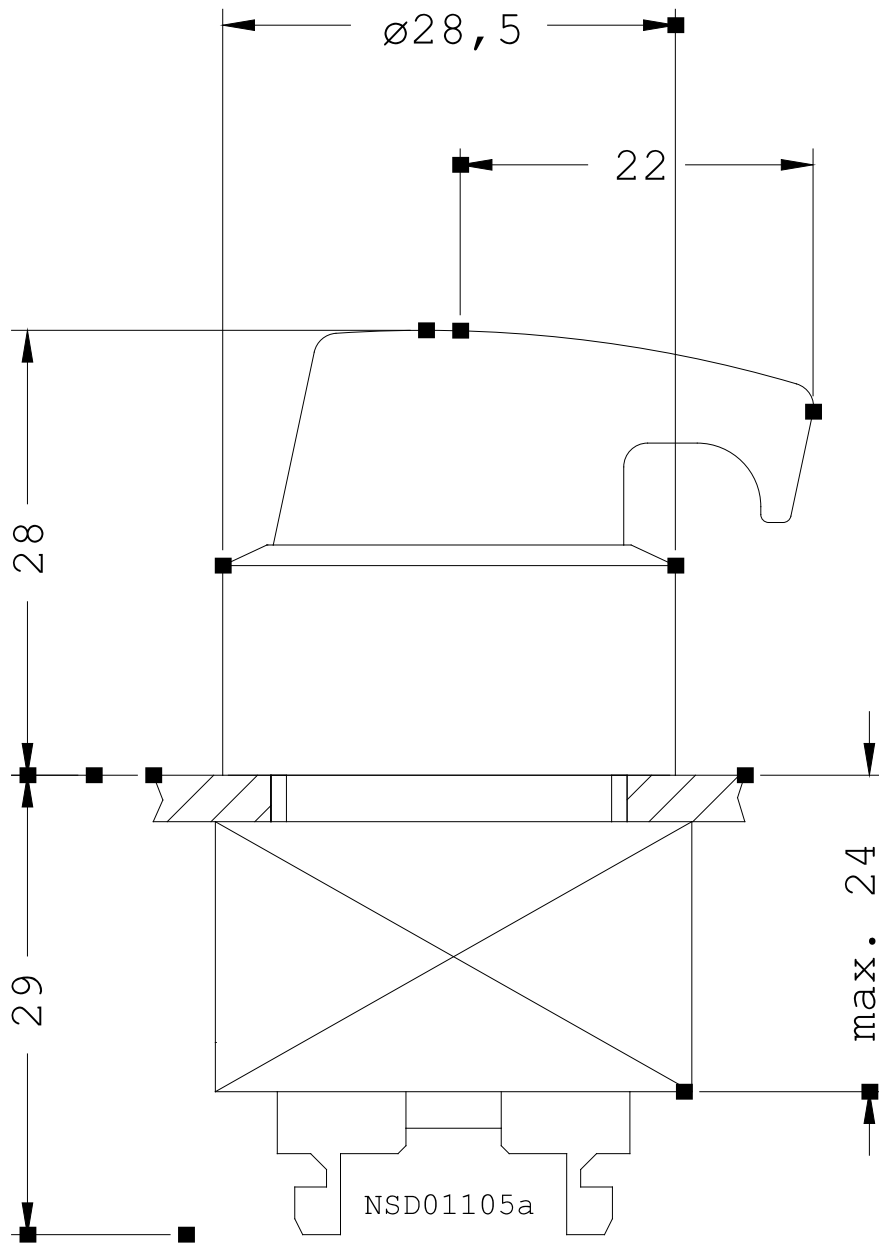
<http://www.siemens.com/cax>

##### Service&Support (Manuals, Certificates, Characteristics, FAQs,...)

<http://support.automation.siemens.com/WW/view/en/3SB3500-3SA21/all>

##### Image database (product images, 2D dimension drawings, 3D models, device circuit diagrams, ...)

[http://www.automation.siemens.com/bilddb/cax\\_en.aspx?mlfb=3SB3500-3SA21](http://www.automation.siemens.com/bilddb/cax_en.aspx?mlfb=3SB3500-3SA21)



last change:

Jul 7, 2014