

22MM METAL ROUND COMPLETE UNIT COMBINATION:
 INDICATOR LIGHT WITH SMOOTH LENSE ILLUMINATED
 WITH LAMP HOLDER BA 9S WITH LAMP 130V AC/DC
 SCREW TERMINAL OPERATIONAL VOLTAGE 220/230V
 AC WITH HOLDER YELLOW

Enclosure:

| | |
|-------------------------------|-------|
| Material / of the enclosure | metal |
| Form / of the enclosure front | round |

Actuato/ signaling device:

| | |
|-----------------------------------|---------------------|
| Design of the product | Complete unit round |
| Design of the operating mechanism | indicator light |
| Type of unlocking device | without |
| Color / of the activation element | Yellow |
| Shape / of the activation element | Smooth lens |
| Number of switching positions | 0 |
| Product component / front ring | No |

Holder:

| | |
|--------------------------|-------|
| Material / of the holder | Metal |
|--------------------------|-------|

Contact block/ lampholder:

| | |
|--|----------------------|
| Design of the electrical connection | screw-type terminals |
| Number of switching elements | 0 |
| Number of NC contacts / for auxiliary contacts | 0 |
| Number of NO contacts / for auxiliary contacts | 0 |

| | | |
|--|--|------------------|
| Number of changeover contacts / for auxiliary contacts | | 0 |
| Product function / positive opening | | No |
| Number of lampholders | | 1 |
| Execution of the mounting | | BA 9s, with lamp |
| Product component / fluorescent materials | | Yes |
| Product extension / optional / fluorescent materials | | Yes |

Accessories:

Product component / holder for 3 switching elements

No

General technical details:

| | | |
|---|-----|-------------------|
| Type of voltage / of the supply voltage / of light source | | AC/DC |
| Supply voltage / 1 / of the fluorescent material | | |
| • at 60 Hz / for AC / rated value | V | 130 |
| • at 50 Hz / for AC / rated value | V | 130 |
| • for DC / rated value | V | 130 |
| Voltage type / of operating voltage | | AC |
| Operating voltage | | |
| • rated value | V | 220 ... 230 |
| Resistance against shock | | |
| • for devices with incandescent lamp / according to IEC 60068-2-27 | | <= 30g |
| Resistance against vibration / according to IEC 60068-2-6 | | 20 ... 200 Hz: 5g |
| Reference code | | |
| • according to DIN EN 61346-2 | | P |
| • according to DIN 40719 extended according to IEC 204-2 / according to IEC 750 | | H |
| Tightening torque / of the screws in the bracket / maximum | N·m | 1 |
| • during operating | °C | -25 ... +60 |
| • during storage | °C | -40 ... +80 |
| Protection class IP | | IP67 |
| climatic class / during the operating phase / according to EN 60721 | | 3K6 |
| Mounting type | | front mounting |
| Shape / of the installation hole | | round |
| Installation width | mm | 28 |
| Mounting diameter | mm | 22 |
| Mounting height | mm | 11 |
| Mounting depth | mm | 49 |

Certificates/ approvals:

General Product Approval

Declaration of Conformity

Test Certificates



[Special Test Certificate](#)

Shipping Approval



other

[Confirmation](#)

[other](#)

[Environmental Confirmations](#)

Further information:

Information- and Downloadcenter (Catalogs, Brochures,...)

<http://www.siemens.com/industrial-controls/catalogs>

Industry Mall (Online ordering system)

<http://www.siemens.com/industrial-controls/mall>

Cax online generator

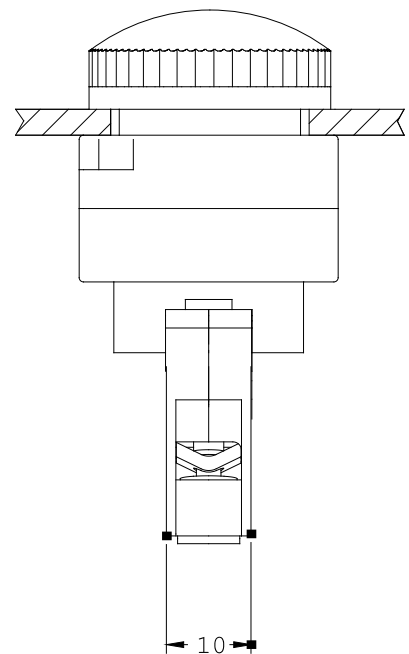
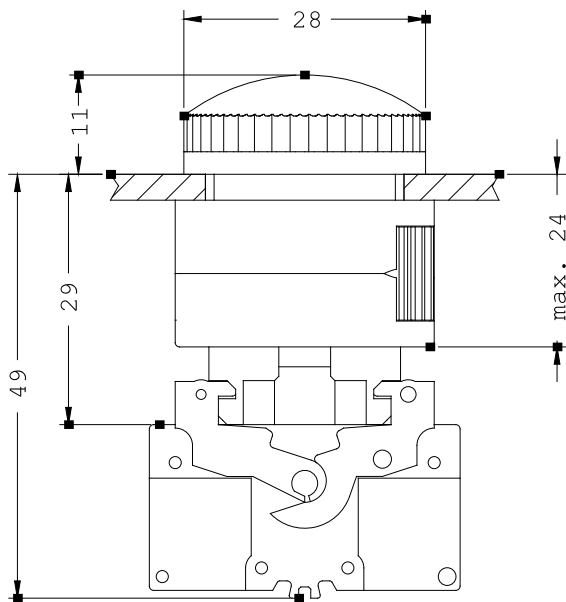
<http://www.siemens.com/cax>

Service&Support (Manuals, Certificates, Characteristics, FAQs,...)

<http://support.automation.siemens.com/WWW/view/en/3SB3612-6AA30/all>

Image database (product images, 2D dimension drawings, 3D models, device circuit diagrams, ...)

http://www.automation.siemens.com/bilddb/cax_en.aspx?mlfb=3SB3612-6AA30



last change:

Jul 7, 2014