



<b>Number of changeover contacts / for auxiliary contacts</b>		0
<b>Product function / positive opening</b>		No
<b>Number of lampholders</b>		1
<b>Execution of the mounting</b>		BA 9s, with lamp
<b>Product component / fluorescent materials</b>		Yes
<b>Product extension / optional / fluorescent materials</b>		Yes

#### Accessories:

**Product component / holder for 3 switching elements**

No

#### General technical details:

<b>Type of voltage / of the supply voltage / of light source</b>		AC/DC
<b>Supply voltage / 1 / of the fluorescent material</b>		
• at 60 Hz / for AC / rated value	V	130
• at 50 Hz / for AC / rated value	V	130
• for DC / rated value	V	130
<b>Voltage type / of operating voltage</b>		AC
<b>Operating voltage</b>		
• rated value	V	220 ... 230
<b>Resistance against shock</b>		
• for devices with incandescent lamp / according to IEC 60068-2-27		<= 30g
<b>Resistance against vibration / according to IEC 60068-2-6</b>		20 ... 200 Hz: 5g
<b>Reference code</b>		
• according to DIN EN 61346-2		P
• according to DIN 40719 extended according to IEC 204-2 / according to IEC 750		H
<b>Tightening torque / of the screws in the bracket / maximum</b>	N-m	1
• during operating	°C	-25 ... +60
• during storage	°C	-40 ... +80
<b>Protection class IP</b>		IP67
<b>climatic class / during the operating phase / according to EN 60721</b>		3K6
<b>Mounting type</b>		front mounting
<b>Shape / of the installation hole</b>		round
<b>Installation width</b>	mm	28
<b>Mounting diameter</b>	mm	22
<b>Mounting height</b>	mm	11
<b>Mounting depth</b>	mm	49

#### Certificates/ approvals:

General Product Approval



Declaration of Conformity

Test Certificates

[Special Test Certificate](#)

Shipping Approval



other

[Confirmation](#)

[other](#)

[Environmental Confirmations](#)

Further information:

Information- and Downloadcenter (Catalogs, Brochures,...)

<http://www.siemens.com/industrial-controls/catalogs>

Industry Mall (Online ordering system)

<http://www.siemens.com/industrial-controls/mall>

Cax online generator

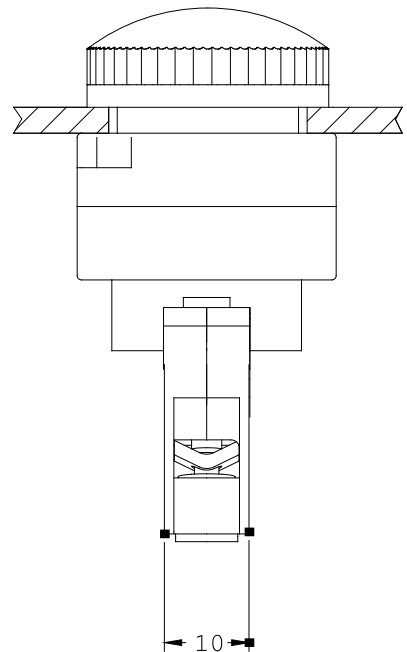
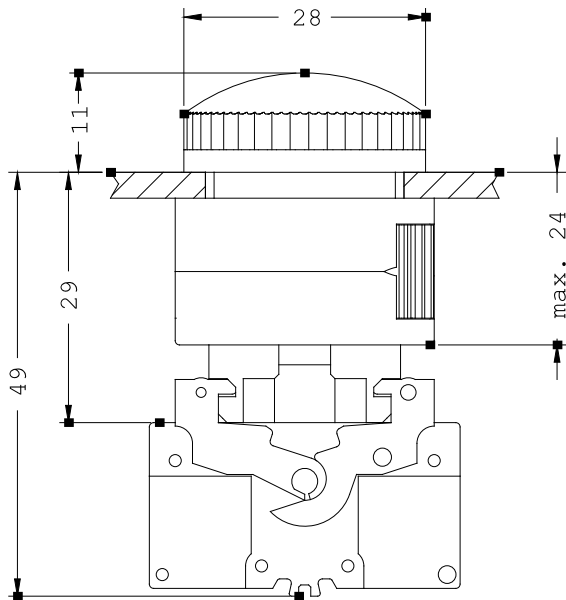
<http://www.siemens.com/cax>

Service&Support (Manuals, Certificates, Characteristics, FAQs,...)

<http://support.automation.siemens.com/WWW/view/en/3SB3612-6BA30/all>

Image database (product images, 2D dimension drawings, 3D models, device circuit diagrams, ...)

[http://www.automation.siemens.com/bilddb/cax\\_en.aspx?mlfb=3SB3612-6BA30](http://www.automation.siemens.com/bilddb/cax_en.aspx?mlfb=3SB3612-6BA30)



last change:

Jul 7, 2014