

22MM METAL ROUND COMPLETE UNIT COMBINATION:
 INDICATOR LIGHT WITH CONCENTRIC RINGS
 ILLUMINATED WITH LAMP HOLDER BA 9S WITH LAMP
 24V AC/DC SCREW TERMINAL OPERATIONAL VOLTAGE
 24V AC/DC WITH HOLDER GREEN

Enclosure:

Material / of the enclosure	metal
Form / of the enclosure front	round

Actuato/ signaling device:

Design of the product	Complete unit round
Design of the operating mechanism	indicator light
Type of unlocking device	without
Color / of the activation element	Green
Shape / of the activation element	Concentric rings
Number of switching positions	0
Product component / front ring	No

Holder:

Material / of the holder	Metal
--------------------------	-------

Contact block/ lampholder:

Design of the electrical connection	screw-type terminals
Number of switching elements	0
Number of NC contacts / for auxiliary contacts	0
Number of NO contacts / for auxiliary contacts	0

Number of changeover contacts / for auxiliary contacts		0
Product function / positive opening		No
Number of lampholders		1
Execution of the mounting		BA 9s, with lamp
Product component / fluorescent materials		Yes
Product extension / optional / fluorescent materials		Yes

Accessories:

Product component / holder for 3 switching elements

No

General technical details:

Type of voltage / of the supply voltage / of light source		AC/DC
Supply voltage / 1 / of the fluorescent material		
• at 60 Hz / for AC / rated value	V	24
• at 50 Hz / for AC / rated value	V	24
• for DC / rated value	V	24
Voltage type / of operating voltage		AC
Operating voltage		
• rated value	V	21.6 ... 26.4
Resistance against shock		
• for devices with incandescent lamp / according to IEC 60068-2-27		<= 30g
Resistance against vibration / according to IEC 60068-2-6		20 ... 200 Hz: 5g
Reference code		
• according to DIN EN 61346-2		P
• according to DIN 40719 extended according to IEC 204-2 / according to IEC 750		H
Tightening torque / of the screws in the bracket / maximum	N·m	1
• during operating	°C	-25 ... +60
• during storage	°C	-40 ... +80
Protection class IP		IP67
climatic class / during the operating phase / according to EN 60721		3K6
Mounting type		front mounting
Shape / of the installation hole		round
Installation width	mm	28
Mounting diameter	mm	22
Mounting height	mm	11
Mounting depth	mm	49

Certificates/ approvals:

General Product Approval

Declaration of Conformity

Test Certificates



[Special Test Certificate](#)

Shipping Approval



other

[Confirmation](#)

[other](#)

[Environmental Confirmations](#)

Further information:

Information- and Downloadcenter (Catalogs, Brochures,...)

<http://www.siemens.com/industrial-controls/catalogs>

Industry Mall (Online ordering system)

<http://www.siemens.com/industrial-controls/mall>

Cax online generator

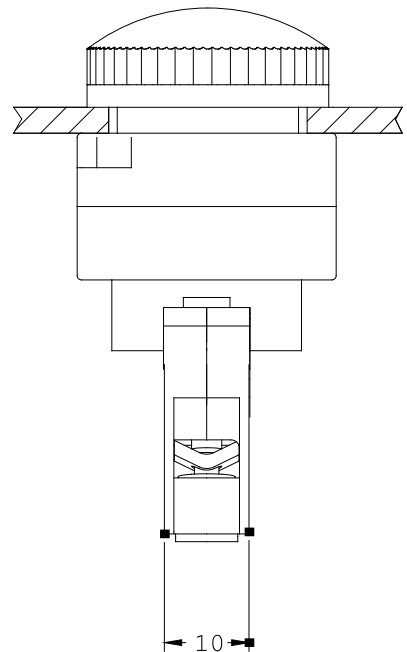
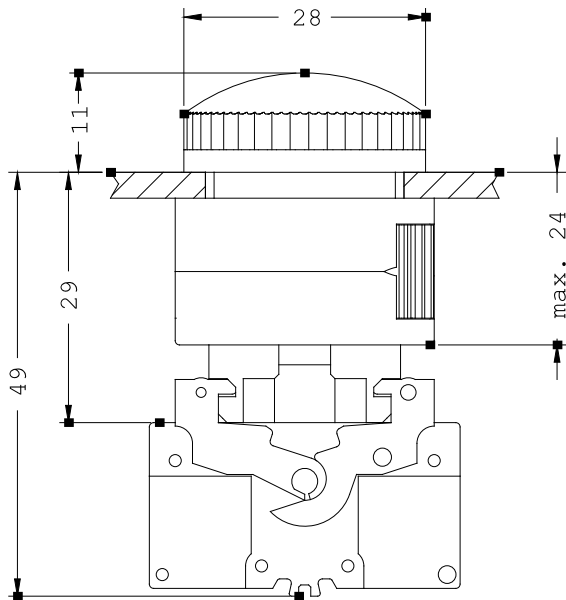
<http://www.siemens.com/cax>

Service&Support (Manuals, Certificates, Characteristics, FAQs,...)

<http://support.automation.siemens.com/WWW/view/en/3SB3617-6BA40/all>

Image database (product images, 2D dimension drawings, 3D models, device circuit diagrams, ...)

http://www.automation.siemens.com/bilddb/cax_en.aspx?mlfb=3SB3617-6BA40



last change:

Jul 7, 2014