



INDICATOR LIGHT, 22MM, ROUND, METAL,
WHITE, LENS, CONCENTRIC RINGS,
WITH HOLDER, LAMPHOLDER,
WITH INTEGRATED LED AC 230V,
SCREW CONNECTION

Enclosure:

Material / of the enclosure	metal
Form / of the enclosure front	round

Actuator / signaling device:

Design of the product	Complete unit, round
Design of the operating mechanism	indicator light
Type of unlocking device	without
Shape / of the activation element	Concentric rings
Number of switching positions	0
Product component / front ring	No

Holder:

Material / of the holder	Metal
--------------------------	-------

Contact block / lampholder

Design of the electrical connection	screw-type terminals
Number of switching elements	0
Number of NC contacts / for auxiliary contacts	0
Number of NO contacts / for auxiliary contacts	0
Number of change-over switches / for auxiliary contacts	0

Product function / positive opening		No
Number of lampholders		1
Execution of the mounting		integrated LED
Product component / fluorescent materials		Yes
Product extension / optional / fluorescent materials		Yes

Accessories:

Product component / holder for 3 switching elements

No

General technical details:

Type of voltage / of the supply voltage / of the fluorescent material		AC
Supply voltage / 1 / of the fluorescent material		
• at 60 Hz / for AC / rated value	V	230
• at 50 Hz / for AC / rated value	V	230
Type of voltage / of the operating voltage		AC
Operating voltage		
• rated value	V	190 ... 265
Operating current		
• for devices without incandescent lamp / according to IEC 60068-2-27		<= 50g
Resistance against vibration / according to IEC 60068-2-6		20 ... 200 Hz: 5g
Item designation		
• according to DIN EN 61346-2		P
• according to DIN 40719 extendable after IEC 204-2 / according to IEC 750		H
Tightening torque / of the screws in the bracket / maximum	N·m	1
• during operating	°C	-25 ... +70
• during storage	°C	-40 ... +80
Protection class IP		IP67
climatic class / during the operating phase / according to EN 60721		3K6
Type of mounting		front mounting
Shape / of the installation hole		round
Installation width	mm	28
Mounting diameter	mm	22
Mounting height	mm	11
Mounting depth	mm	49

Certificates/approvals:

General Product Approval



Test Certificates

[Special Test Certificate](#)

Shipping Approval



other

[Confirmation](#)

[other](#)

[Environmental Confirmations](#)

Further information:

Information- and Downloadcenter (Catalogs, Brochures,...)

<http://www.siemens.com/industrial-controls/catalogs>

Industry Mall (Online ordering system)

<http://www.siemens.com/industrial-controls/mall>

Cax online generator:

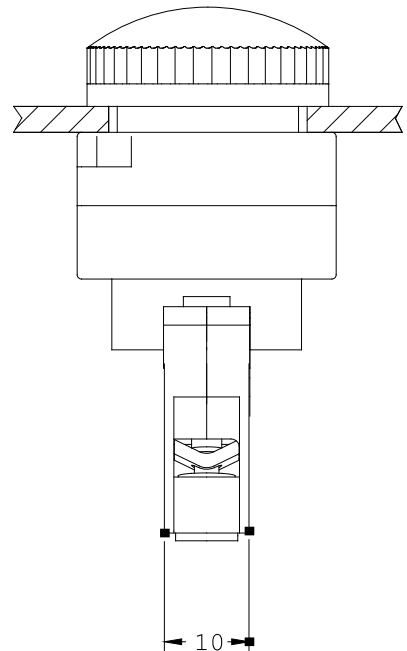
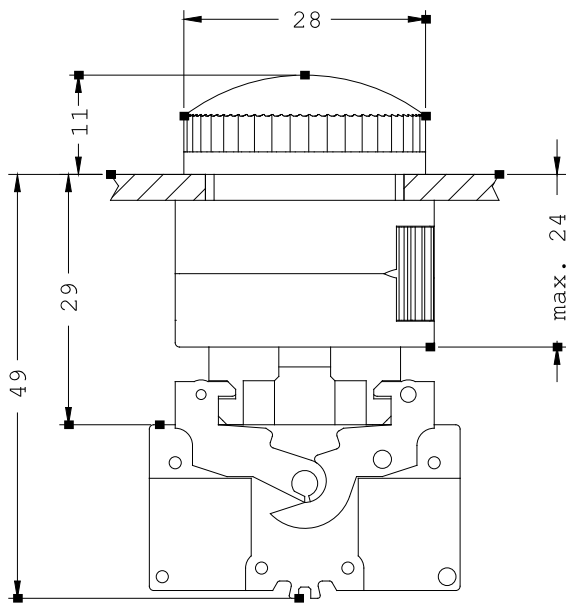
<http://www.siemens.com/cax>

Service&Support (Manuals, Certificates, Characteristics, FAQs,...)

<http://support.automation.siemens.com/WW/view/en/3SB3652-6BA60/all>

Image database (product images, 2D dimension drawings, 3D models, device circuit diagrams, ...)

http://www.automation.siemens.com/bilddb/cax_en.aspx?mlfb=3SB3652-6BA60



last change:

Jan 21, 2013