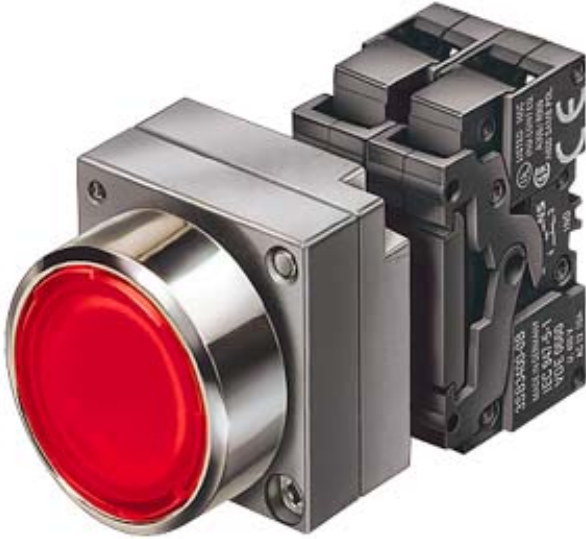


22MM METAL ROUND COMPLETE UNIT COMBINATION:
ILLUMINATED PUSHBUTTON MOMENTARY CONTACT
TYPE WITH FLAT BUTTON ILLUMINATED WITH
INTEGRATED LED 230V AC SCREW TERMINAL,
1NO WITH HOLDER CLEAR



Enclosure:	
Material / of the enclosure	metal
Form / of the enclosure front	round
Actuator / signaling device:	
Design of the product	Complete unit, round
Design of the operating mechanism	Illuminated pushbutton
Type of unlocking device	without
Material / of the activation element	plastic
Shape / of the activation element	Flat pushbutton
Number of switching positions	2
Product component / front ring	Yes
Material / of the front ring	metal
Color / of the front ring	silver
Design of the front ring	Standard
Holder:	
Material / of the holder	Metal
Contact block / lampholder	
Design of the electrical connection	screw-type terminals

Number of switching elements		1
Number of NC contacts / for auxiliary contacts		0
Number of NO contacts / for auxiliary contacts		1
Number of change-over switches / for auxiliary contacts		0
Product function / positive opening		No
Number of lampholders		1
Execution of the mounting		integrated LED
Product component / fluorescent materials		Yes
Product extension / optional / fluorescent materials		Yes

Accessories:

Product component / holder for 3 switching elements		Yes
--	--	-----

General technical details:

Type of voltage / of the supply voltage / of the fluorescent material		AC
Supply voltage / 1 / of the fluorescent material		
• at 60 Hz / for AC / rated value	V	230
• at 50 Hz / for AC / rated value	V	230
Type of voltage / of the operating voltage		AC
Operating voltage		
• rated value	V	190 ... 265
Operating current		
• at AC-12		
• at 24 V / rated value	A	10
• at 48 V / rated value	A	10
• at 110 V / rated value	A	10
• at 230 V / rated value	A	10
• at 400 V / rated value	A	10
• at AC-15		
• at 24 V / rated value	A	6
• at 48 V / rated value	A	6
• at 110 V / rated value	A	6
• at 230 V / rated value	A	6
• at 400 V / rated value	A	3
• at DC-12		
• at 24 V / rated value	A	10
• at 48 V / rated value	A	5
• at 110 V / rated value	A	2.5
• at 230 V / rated value	A	1
• at DC-13		

<ul style="list-style-type: none"> • at 24 V / rated value • at 48 V / rated value • at 110 V / rated value • at 230 V / rated value • for devices without incandescent lamp / according to IEC 60068-2-27 	A	3
	A	1.5
	A	0.7
	A	0.3
		<= 50g
Resistance against vibration / according to IEC 60068-2-6		20 ... 200 Hz: 5g
Operating cycles / maximum	1/h	1,000
Mechanical operating cycles as operating time / typical		3,000,000
Item designation		
<ul style="list-style-type: none"> • according to DIN EN 61346-2 • according to DIN 40719 extendable after IEC 204-2 / according to IEC 750 		S
		S
Tightening torque / of the screws in the bracket / maximum	N·m	1
<ul style="list-style-type: none"> • during operating • during storage 	°C	-25 ... +70
	°C	-40 ... +80
Protection class IP		IP67
climatic class / during the operating phase / according to EN 60721		3K6
Type of mounting		front mounting
Shape / of the installation hole		round
Installation width	mm	28.5
Mounting diameter	mm	22
Mounting height	mm	12
Mounting depth	mm	49

Certificates/approvals:

General Product Approval



CCC



CSA



GOST



UL

Test Certificates

[Special Test Certificate](#)

Shipping Approval



ABS



DNV



LRS



PRS



RINA

other

[Confirmation](#)

[other](#)

[Environmental Confirmations](#)

Further information:

Information- and Downloadcenter (Catalogs, Brochures,...)

<http://www.siemens.com/industrial-controls/catalogs>

Industry Mall (Online ordering system)

<http://www.siemens.com/industrial-controls/mall>

Cax online generator:

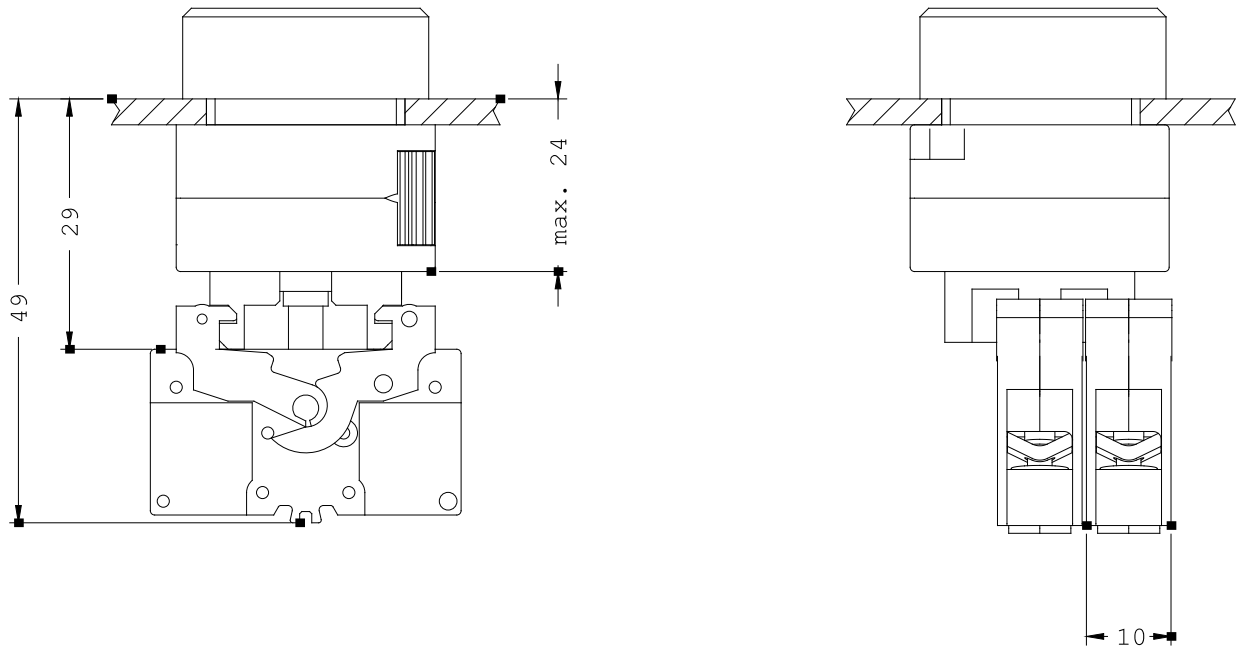
<http://www.siemens.com/cax>

Service&Support (Manuals, Certificates, Characteristics, FAQs,...)

<http://support.automation.siemens.com/WW/view/en/3SB3653-0AA71/all>

Image database (product images, 2D dimension drawings, 3D models, device circuit diagrams, ...)

http://www.automation.siemens.com/bilddb/cax_en.aspx?mlfb=3SB3653-0AA71



last change:

Jan 21, 2013