



ENCLOSURE FOR COMMAND DEVICES, 22MM, ROUND, ENCLOSURE MATERIAL PLASTIC, ENCLOSURE TOP PART YELLOW, 1 COMMAND POINT, A=EMERGENCY STOP MUSHROOM PUSHBUTTON RED, 40MM, ROTATE-TO-UNLATCH, 1NC, SCREW CONNECTION, FLOOR MOUNTING, 1 X M20 EACH AT TOP AND BOTTOM

Enclosure:	
Design of the enclosure	Enclosure for command and signaling devices with standard equipment
Material / of the enclosure	plastic
Color / of top part of the enclosure	yellow
Number of Command Points	1
Product component / protective collar	No
Form / of the enclosure front	Square
Design of electrical connection / on enclosure	Cable routing above and below, both 1 x M20
Type of mounting / of enclosure	Vertical
Product function / EMERGENCY STOP function	Yes









Actuator / signaling device:	
Design of the operating mechanism	Emergency stop mushroom pushbutton
Assembling of the commanding and signaling device	A = Emergency stop mushroom pushbutton
Number of mushroom pushbuttons	1
Number of indicator lights	0
Number of pushbuttons	0
Number of key-operated switches	0
Material / of the activation element	plastic
Product component / front ring	No

Type of unlocking device		rotate-to-unlatch mechanism
<b>Holder:</b>		
Material / of the holder		Plastic
<b>Contact block / lampholder</b>		
Number of switching elements		1
Number of NC contacts / for auxiliary contacts		1
Number of NO contacts / for auxiliary contacts		0
Number of change-over switches / for auxiliary contacts		0
Product function / positive opening		Yes
Number of lampholders		0
Type of fixing/fixation / for contact blocks		Floor mounting
Design of electrical connection / of contact blocks, socket, and accessories		Screw-type terminal
Product component / fluorescent materials		No
Product extension / optional / fluorescent materials		No
<b>Accessories:</b>		
Number of backing plates		0
Number of labeling plates		0
Product component / holder for 3 switching elements		No
<b>General technical details:</b>		
Type of voltage / of the operating voltage		AC/DC
<b>Operating voltage</b>		
• for DC		
• rated value	V	5 ... 230
• 1 / for DC / rated value	V	230
• at 50 Hz / at AC		
• rated value	V	5 ... 400
• 1 / at 50 Hz / for AC / rated value	V	400
• at 60 Hz / at AC		
• rated value	V	5 ... 300
• 1 / at 60 Hz / for AC / rated value	V	300
<b>Operating current</b>		
• at AC-12		
• at 24 V / rated value	A	10
• at 48 V / rated value	A	10
• at 110 V / rated value	A	10
• at 230 V / rated value	A	10
• at 400 V / rated value	A	10

<ul style="list-style-type: none"> <li>• at AC-15 <ul style="list-style-type: none"> <li>• at 24 V / rated value</li> <li>• at 48 V / rated value</li> <li>• at 110 V / rated value</li> <li>• at 230 V / rated value</li> <li>• at 400 V / rated value</li> </ul> </li> <li>• at DC-12 <ul style="list-style-type: none"> <li>• at 24 V / rated value</li> <li>• at 48 V / rated value</li> <li>• at 110 V / rated value</li> <li>• at 230 V / rated value</li> </ul> </li> <li>• at DC-13 <ul style="list-style-type: none"> <li>• at 24 V / rated value</li> <li>• at 48 V / rated value</li> <li>• at 110 V / rated value</li> <li>• at 230 V / rated value</li> </ul> </li> </ul>	A	6
	A	6
	A	6
	A	6
	A	3
	A	10
	A	5
	A	2.5
	A	1
	A	3
	A	1.5
	A	0.7
	A	0.3
<b>Delivery state / pre-wired on strip terminal</b>		No
<b>Product component / stand/pedestal</b>		No
<b>Resistance against shock</b> <ul style="list-style-type: none"> <li>• for devices without incandescent lamp / according to IEC 60068-2-27</li> </ul>		<= 50g
<b>Resistance against vibration / according to IEC 60068-2-6</b>		20 ... 200 Hz: 5g
<b>Item designation</b> <ul style="list-style-type: none"> <li>• according to DIN EN 61346-2</li> <li>• according to DIN 40719 extendable after IEC 204-2 / according to IEC 750</li> </ul>		S S
<b>Tightening torque / of the screws in the bracket / maximum</b>	N·m	1
<b>Ambient temperature</b> <ul style="list-style-type: none"> <li>• during operating</li> <li>• during storage</li> </ul>	°C	-25 ... +70 °C -40 ... +80
<b>Protection class IP</b>		IP65
<b>B10 value / with high demand rate / according to SN 31920</b>		100,000
<b>Proportion of dangerous failures / with high demand rate / according to SN 31920</b>	%	20
<b>Proportion of dangerous failures / with low demand rate / according to SN 31920</b>	%	20
<b>Failure rate (FIT value) / with low demand rate / according to SN 31920</b>	FIT	100
<b>T1 value / for proof test interval or service life / according to IEC 61508</b>	a	20
<b>climatic class / during the operating phase / according to EN 60721</b>		3K6

Shape / of the installation hole		round
Mounting diameter	mm	22
Width	mm	85
Height	mm	85
Depth	mm	64

#### Certificates/approvals:

General Product Approval		Declaration of Conformity	Test Certificates
 CSA	 GOST	 UL	 EG-Konf.
<b>Shipping Approval</b>			<b>other</b>
 ABS	 DNV	 LRS	 PRS
			<a href="#">Special Test Certificate</a>
			<a href="#">Confirmation</a> <a href="#">Environmental Confirmations</a>

#### Further information:

##### Information- and Downloadcenter (Catalogs, Brochures,...)

<http://www.siemens.com/industrial-controls/catalogs>

##### Industry Mall (Online ordering system)

<http://www.siemens.com/industrial-controls/mall>

##### Cax online generator:

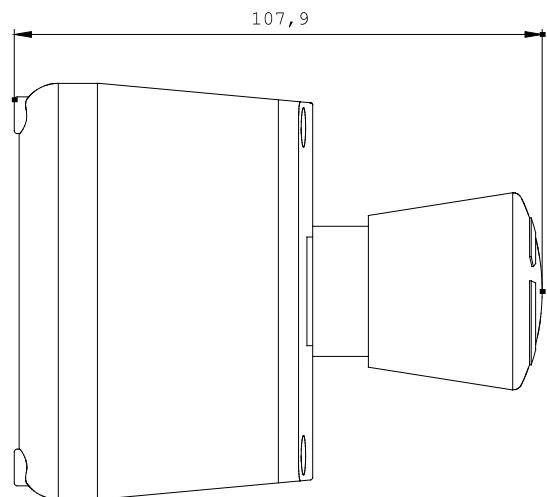
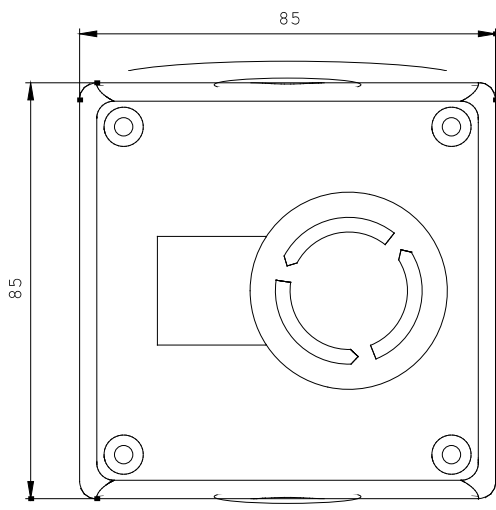
<http://www.siemens.com/cax>

##### Service&Support (Manuals, Certificates, Characteristics, FAQs,...)

<http://support.automation.siemens.com/WW/view/en/3SB3801-0DG3/all>

##### Image database (product images, 2D dimension drawings, 3D models, device circuit diagrams, ...)

[http://www.automation.siemens.com/bilddb/cax\\_en.aspx?mlfb=3SB3801-0DG3](http://www.automation.siemens.com/bilddb/cax_en.aspx?mlfb=3SB3801-0DG3)



last change:

Feb 8, 2013