

TWO-HAND OPERATION CONSOLE FOR CONTROL DEVICES,
 22MM, ROUND, ENCLOSURE MATERIAL METAL,
 ENCLOSURE TOP PART GRAY,
 3 COMMAND POINTS,
 STANDARD EQUIPMENT: 2 MUSHROOM PUSHBUTTONS
 BLACK,
 40MM, 1NO+1NC, SCREW CONN.,
 1 EMERGENCY STOP RED, 40MM, 2NC,
 SCREW CONNECTION, METAL ACTUATOR



Enclosure:	
Design of the enclosure	Two-hand operation console
Material / of the enclosure	metal
Color / of top part of the enclosure	grey
Number of Command Points	3
Product component / protective collar	Yes
Form / of the enclosure front	rectangular
Design of electrical connection / on enclosure	Cable routing above and below, both 1 x M20
Mounting type / of enclosure	Horizontal
Product function / EMERGENCY STOP function	Yes

Actuato/ signaling device:	
Design of the operating mechanism	Emergency stop mushroom pushbutton / mushroom pushbutton
Assembling of the commanding and signaling device	A = Mushroom pushbutton / B = Emergency stop mushroom pushbutton / C = Mushroom pushbutton
Number of mushroom pushbuttons	3
Number of indicator lights	0
Number of pushbuttons	0
Number of key-operated switches	0
Color / of the activation element	A = black / B = red / C = black

Material / of the activation element		metal
Product component / front ring		Yes
Material / of the front ring		metal
Color / of the front ring		silver
Type of unlocking device		A = pull-to-unlatch mechanism / B = rotate-to-unlatch mechanism / C = pull-to-unlatch mechanism

Holder:

Material / of the holder		Metal
--------------------------	--	-------

Contact block/ lampholder:

Number of switching elements		5
Number of NC contacts / for auxiliary contacts		4
Number of NO contacts / for auxiliary contacts		2
Number of changeover contacts / for auxiliary contacts		0
Product function / positive opening		Yes
Number of lampholders		0
Mounting type / of contact blocks, socket, and accessories		Front mounting
Design of electrical connection / of contact blocks, socket, and accessories		Screw-type terminal
Product component / fluorescent materials		No
Product extension / optional / fluorescent materials		No

Accessories:

Number of backing plates		1
Marking / of backing plate		EMERGENCY-STOP
Color / of backing plate		Yellow
Number of labeling plates		0
Product component / holder for 3 switching elements		No




General technical details:

Voltage type / of operating voltage		AC/DC
Operating voltage		
<ul style="list-style-type: none"> • for DC <ul style="list-style-type: none"> • rated value • 1 / for DC / rated value • at 50 Hz / at AC <ul style="list-style-type: none"> • rated value • 1 / at 50 Hz / for AC / rated value • at 60 Hz / at AC <ul style="list-style-type: none"> • rated value • 1 / at 60 Hz / for AC / rated value 	 V V / V V V V	 5 ... 230 230 400 400 5 ... 300 300

Operating current		
• at AC-12		
• at 24 V / rated value	A	10
• at 48 V / rated value	A	10
• at 110 V / rated value	A	10
• at 230 V / rated value	A	10
• at 400 V / rated value	A	10
• at AC-15		
• at 24 V / rated value	A	6
• at 48 V / rated value	A	6
• at 110 V / rated value	A	6
• at 230 V / rated value	A	6
• at 400 V / rated value	A	3
• at DC-12		
• at 24 V / rated value	A	10
• at 48 V / rated value	A	5
• at 110 V / rated value	A	2.5
• at 230 V / rated value	A	1
• at DC-13		
• at 24 V / rated value	A	3
• at 48 V / rated value	A	1.5
• at 110 V / rated value	A	0.7
• at 230 V / rated value	A	0.3
Delivery state / pre-wired on strip terminal		No
Product component / stand/pedestal		No
Resistance against shock		
• for devices without incandescent lamp / according to IEC 60068-2-27		<= 50g
Resistance against vibration / according to IEC 60068-2-6		20 ... 200 Hz: 5g
Reference code		
• according to DIN EN 61346-2		S
• according to DIN 40719 extended according to IEC 204-2 / according to IEC 750		S
Tightening torque / of the screws in the bracket / maximum	N·m	1
Ambient temperature		
• during operating	°C	-25 ... +70
• during storage	°C	-40 ... +80
Protection class IP		IP65
B10 value / with high demand rate / according to SN 31920		100,000
Proportion of dangerous failures / with high demand rate / according to SN 31920	%	20

Proportion of dangerous failures / with low demand rate / according to SN 31920	%	20
Failure rate [FIT] / with low demand rate / according to SN 31920	FIT	100
T1 value / for proof test interval or service life / according to IEC 61508	a	20
climatic class / during the operating phase / according to EN 60721		3K6
Shape / of the installation hole		round
Mounting diameter	mm	22
Width	mm	137
Height	mm	469
Depth	mm	185

Certificates/ approvals:

General Product Approval	Declaration of Conformity	Test Certificates	Shipping Approval	other
	 EG-Konf.	Special Test Certificate		Confirmation Environmental Confirmations

Further information:

Information- and Downloadcenter (Catalogs, Brochures,...)

<http://www.siemens.com/industrial-controls/catalogs>

Industry Mall (Online ordering system)

<http://www.siemens.com/industrial-controls/mall>

Cax online generator

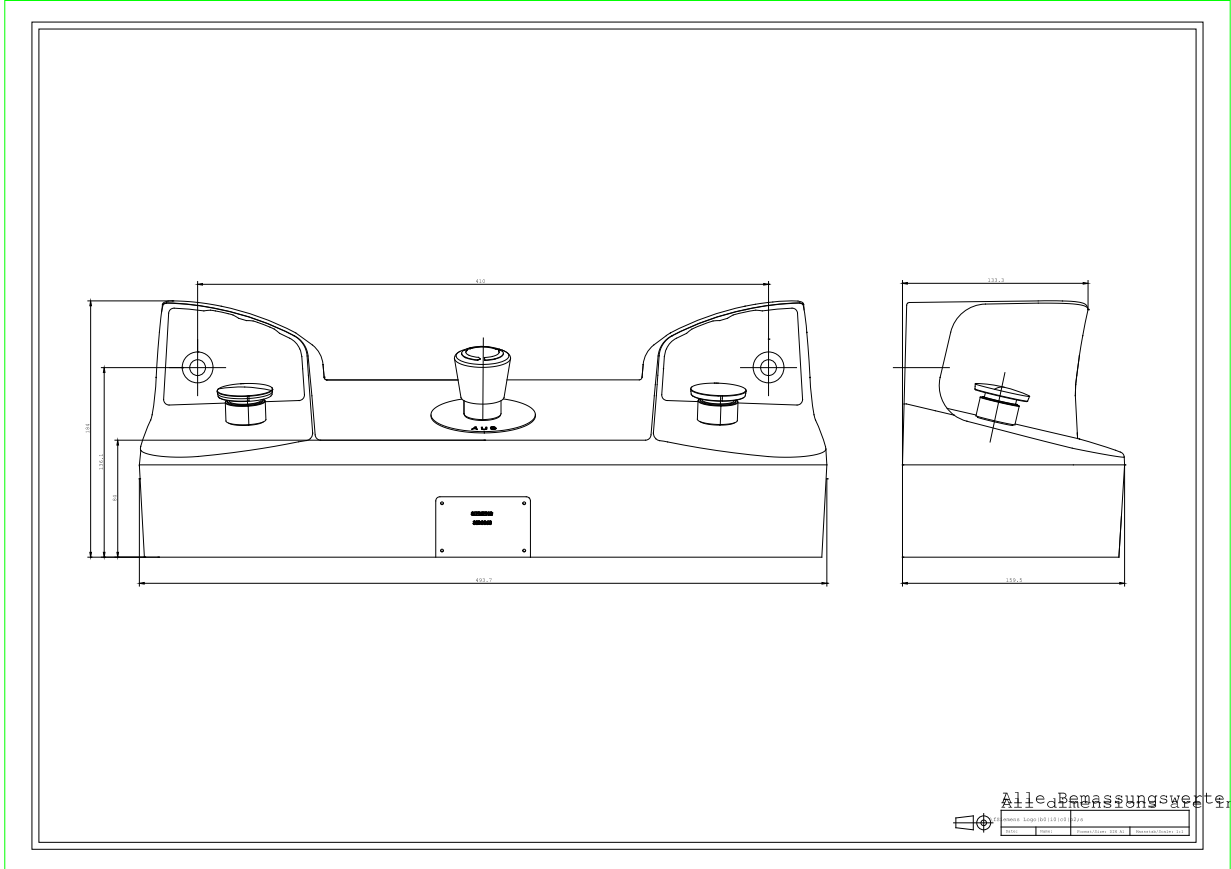
<http://www.siemens.com/cax>

Service&Support (Manuals, Certificates, Characteristics, FAQs,...)

<http://support.automation.siemens.com/WW/view/en/3SB3863-4BB/all>

Image database (product images, 2D dimension drawings, 3D models, device circuit diagrams, ...)

http://www.automation.siemens.com/bilddb/cax_en.aspx?mlfb=3SB3863-4BB



last change:

Jul 7, 2014