



ACTUATOR HEAD FOR POSITION SWITCH 3SE51  
 ROLLER PLUNGER WITH 3MM OVERTRAVEL,  
 STAINLESS STEEL ROLLER 13MM,  
 FUNCTIONAL AT -40 DEGREES

General technical details:		
<b>product designation</b>		actuator head for position switch
<b>Product feature</b>		expanded temperature range, e.g. railway application
<b>Explosion protection category for dust</b>		none
<b>Mechanical operating cycles as operating time</b> • typical		15,000,000
<b>Resistance against vibration</b>		0.35 mm / 5g
<b>Resistance against vibration / for railway applications / according to DIN EN 61373</b>		Category 1, Class B
<b>Resistance against shock</b>		30g / 11 ms
<b>Resistance against shock / for railway applications / according to DIN EN 61373</b>		Category 1, Class B
<b>Ambient temperature</b> • during operating • during storage	°C	-40 ... +85 -40 ... +90
<b>Material / of the enclosure</b> • of the switch head		metal
<b>Design of the operating mechanism</b>		stainless steel roller
<b>Minimum actuating force / in activation direction</b>	N	20
<b>mounting position</b>		any
<b>Fire load</b>	kJ	7

### Item designation

- according to DIN 40719 extendable after IEC 204-2 / according to IEC 750
- according to DIN EN 61346-2

E

T

### Certificates/approvals:

#### General Product Approval

#### Functional Safety / Safety of Machinery



CCC



CSA



GOST



UL



VDE



VDE

#### Declaration of Conformity

#### Test Certificates

#### other



EG-Konf.

[Special Test  
Certificate](#)

[Confirmation](#)

[Vibration Test  
Certificates](#)

### Further information:

#### Information- and Downloadcenter (Catalogs, Brochures,...)

<http://www.siemens.com/industrial-controls/catalogs>

#### Industry Mall (Online ordering system)

<http://www.siemens.com/industrial-controls/mall>

#### CAX-Online-Generator

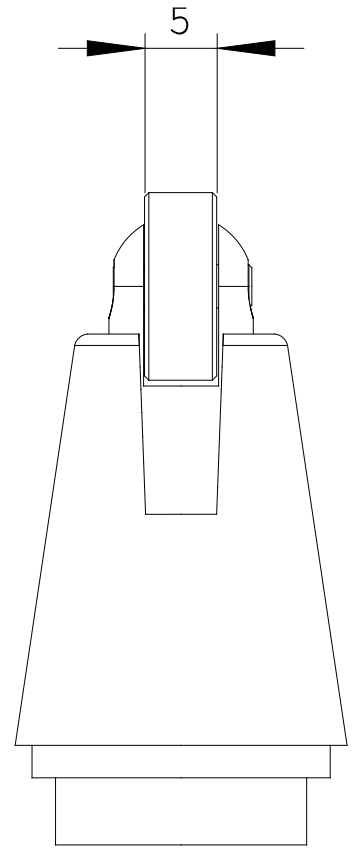
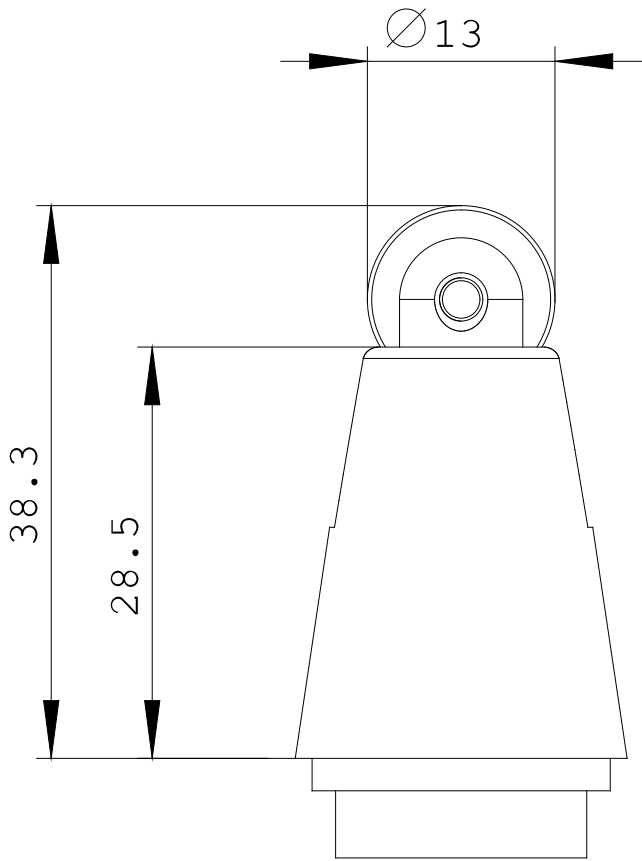
<http://www.siemens.com/cax>

#### Service&Support (Manuals, Certificates, Characteristics, FAQs,...)

<http://support.automation.siemens.com/WWW/view/en/3SE5000-0AD02-1AJ0/all>

#### Image database (product images, 2D dimension drawings, 3D models, device circuit diagrams, ...)

[http://www.automation.siemens.com/bilddb/cax\\_en.aspx?mlfb=3SE5000-0AD02-1AJ0](http://www.automation.siemens.com/bilddb/cax_en.aspx?mlfb=3SE5000-0AD02-1AJ0)



last change:

Jan 23, 2013