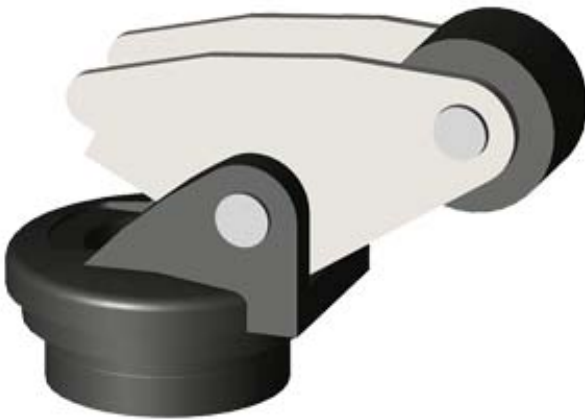


ACTUATOR HEAD FOR POSITION SWITCH 3SE52
ANGULAR ROLLER LEVER METAL LEVER WITH PLASTIC
ROLLER 13MM



General technical details:		
product designation		actuator head for position switch
Product feature		expanded temperature range, e.g. railway application
Explosion protection category for dust		none
Mechanical operating cycles as operating time • typical		15,000,000
Resistance against vibration		0.35 mm / 5g
Resistance against vibration / for railway applications / according to DIN EN 61373		Category 1, Class B
Resistance against shock		30g / 11 ms
Resistance against shock / for railway applications / according to DIN EN 61373		Category 1, Class B
Ambient temperature • during operating • during storage	°C	-40 ... +85 -40 ... +90
Material / of the enclosure • of the switch head		plastic
Design of the operating mechanism		metal lever, plastic roller
Minimum actuating force / in activation direction	N	10
mounting position		any
Fire load	kJ	106

Item designation

- according to DIN 40719 extendable after IEC 204-2 / according to IEC 750
- according to DIN EN 61346-2

E
T

Certificates/approvals:

General Product Approval

Functional Safety /
Safety of
Machinery



CCC



CSA



GOST



UL



VDE



VDE

Declaration of Conformity

Test Certificates

other



EG-Konf.

[Special Test
Certificate](#)

[Confirmation](#)

[Vibration Test
Certificates](#)

Further information:

Information- and Downloadcenter (Catalogs, Brochures,...)

<http://www.siemens.com/industrial-controls/catalogs>

Industry Mall (Online ordering system)

<http://www.siemens.com/industrial-controls/mall>

CAX-Online-Generator

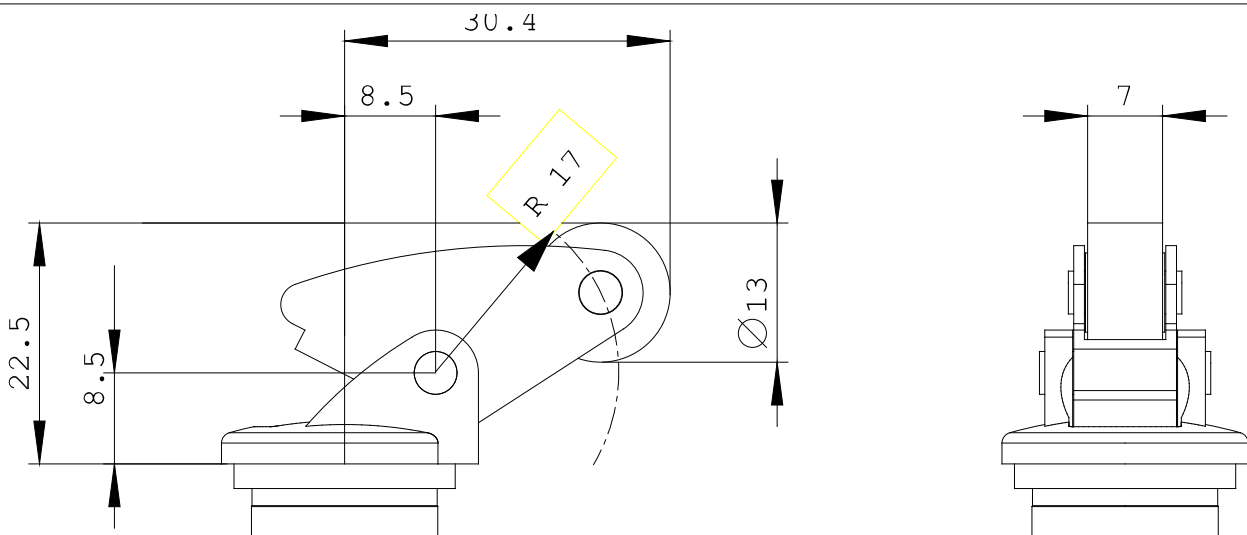
<http://www.siemens.com/cax>

Service&Support (Manuals, Certificates, Characteristics, FAQs,...)

<http://support.automation.siemens.com/WWW/view/en/3SE5000-0AF10-1AJ0/all>

Image database (product images, 2D dimension drawings, 3D models, device circuit diagrams, ...)

http://www.automation.siemens.com/bilddb/cax_en.aspx?mlfb=3SE5000-0AF10-1AJ0



last change:

Jan 23, 2013