

LL3-DF03

LL3

FIBERS

SICK
Sensor Intelligence.



Ordering information

Type	Part no.
LL3-DF03	5336766

Other models and accessories → www.sick.com/LL3

Detailed technical data

Features

Device type	Fibers
Detection principle	Proximity system
For fiber-optic sensor	GLL170(T), WLL180T
Fiber length	2,000 mm
Fiber material	Polymethylmethacrylat (PMMA)
Jacket material	Perfluoralkoxy-Polymere (PFA)
Fiber head material	Perfluoralkoxy-Polymere (PFA)
Outer diameter, fiber-optic cable connection	1.3 mm
Fiber-optic cable cuttable	✓ ¹⁾
Fiber-optic head design	Special design
Fiber arrangement	Monofiber
Core structure	2 x Ø 1,0 mm Monofiber
Bend radius, fibre-optic cable	60 mm
Compatibility with infrared light (1,450 nm)	No
Ambient operating temperature	-40 °C ... +70 °C
Application	Liquid Level (Immersion)
Highly flexible/elastic fibers (bend radius 1–4 mm)	No
Adapter end sleeves required	Yes
Compatibility tip adapters	No
Special features	Special applications: level switch for liquids, chemically resistant

¹⁾ FC fiber optic cable cutter included in delivery.

Mechanics/electronics

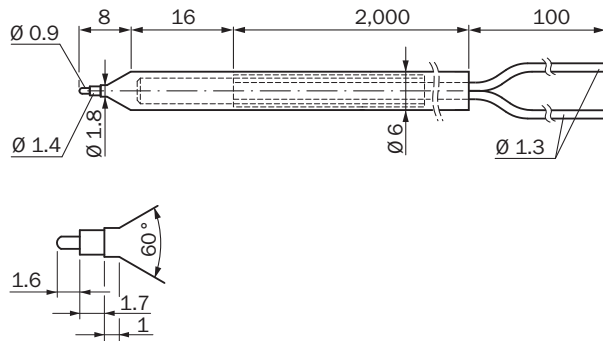
Bend radius, fibre-optic cable	60 mm
Ambient operating temperature	-40 °C ... +70 °C

Classifications

ECl@ss 5.0	27270905
ECl@ss 5.1.4	27270905
ECl@ss 6.0	27270905
ECl@ss 6.2	27270905

ECI@ss 7.0	27270905
ECI@ss 8.0	27270905
ECI@ss 8.1	27270905
ECI@ss 9.0	27270905
ECI@ss 10.0	27270905
ECI@ss 11.0	27270905
ETIM 5.0	EC002651
ETIM 6.0	EC002651
ETIM 7.0	EC002651
UNSPSC 16.0901	39121528

Dimensional drawing (Dimensions in mm (inch))



SICK AT A GLANCE

SICK is one of the leading manufacturers of intelligent sensors and sensor solutions for industrial applications. A unique range of products and services creates the perfect basis for controlling processes securely and efficiently, protecting individuals from accidents and preventing damage to the environment.

We have extensive experience in a wide range of industries and understand their processes and requirements. With intelligent sensors, we can deliver exactly what our customers need. In application centers in Europe, Asia and North America, system solutions are tested and optimized in accordance with customer specifications. All this makes us a reliable supplier and development partner.

Comprehensive services complete our offering: SICK LifeTime Services provide support throughout the machine life cycle and ensure safety and productivity.

For us, that is “Sensor Intelligence.”

WORLDWIDE PRESENCE:

Contacts and other locations –www.sick.com