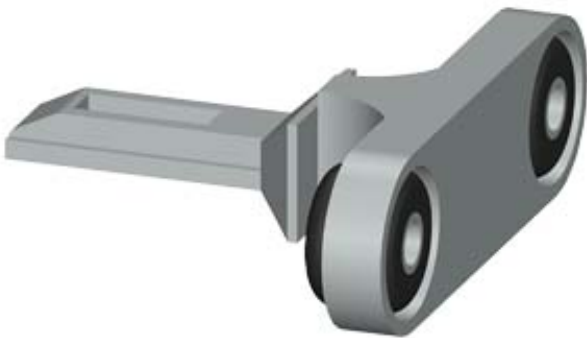


SEPARATE ACTUATOR HORIZONTAL MOUNTING FOR POS. W. TUMBLER 3SE5312../3SE5322.. AND ASI 3SF13... AND POS. WITH SEPARATE ACTUATOR 3SE51../3SE52.. AND ASI 3SF11../3SF21..



General technical details:		
product designation		actuator
Explosion protection category for dust		none
Mechanical operating cycles as operating time • typical		1,000,000
Resistance against vibration		0.35 mm / 5g
Resistance against shock		30g / 11 ms
Ambient temperature • during operating • during storage	°C	-25 ... +85 -40 ... +90
Design of the operating mechanism		actuator with vertical fixing
mounting position		any
Item designation • according to DIN 40719 extendable after IEC 204-2 / according to IEC 750 • according to DIN EN 61346-2		E T

Certificates/approvals:

General Product Approval

Functional Safety /
Safety of
Machinery



CCC



CSA



GOST



UL



VDE



VDE

Declaration of
Conformity

Test Certificates

other



EG-Konf.

[Special Test
Certificate](#)

[Confirmation](#)

Further information:

Information- and Downloadcenter (Catalogs, Brochures,...)

<http://www.siemens.com/industrial-controls/catalogs>

Industry Mall (Online ordering system)

<http://www.siemens.com/industrial-controls/mall>

CAX-Online-Generator

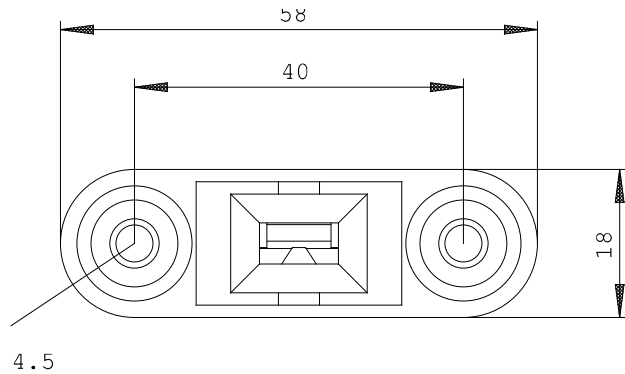
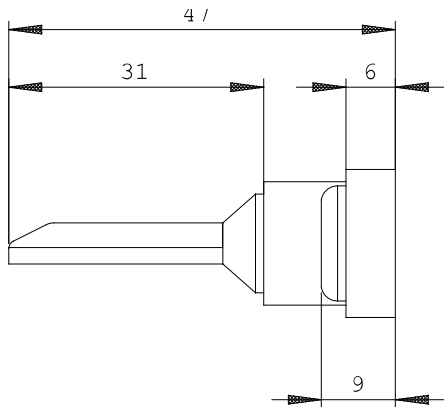
<http://www.siemens.com/cax>

Service&Support (Manuals, Certificates, Characteristics, FAQs,...)

<http://support.automation.siemens.com/WWW/view/en/3SE5000-0AV03/all>

Image database (product images, 2D dimension drawings, 3D models, device circuit diagrams, ...)

http://www.automation.siemens.com/bilddb/cax_en.aspx?mlfb=3SE5000-0AV03



last change:

Jan 23, 2013