



SIRIUS POSITION SWITCH METAL ENCLOSURE 56MM WIDE DEVICE CONNECTION 3X (M20X1.5) 1NO/ 1NC SNAP-ACTION CONTACTS FORK LEVER ACTUATOR W. METAL LEVER AND PLASTIC ROLLERS 19MM

**Manufacturer article number**

- of the basic unit included in the scope of supply
- of the actuator head for position switches included in the scope of supply
- of the operating lever included in the scope of supply

[3SE5122-0CA00](#)

[3SE5000-0AT10](#)

[3SE5000-0AT01](#)

**General technical details:**

**product designation**

standard position switch

**Explosion protection category for dust**

none

**Insulation voltage**

- rated value

V

400

**Degree of pollution**

class 3

**Thermal current**

A

6

**Operating current**

- at AC-15
  - at 24 V / rated value
  - at 125 V / rated value
  - at 230 V / rated value
  - at 400 V / rated value
- at DC-13
  - at 24 V / rated value
  - at 125 V / rated value

A

6

A

6

A

6

A

4

A

3

A

0.55

<ul style="list-style-type: none"> <li>• at 230 V / rated value</li> <li>• at 400 V / rated value</li> </ul>	A	0.27
	A	0.1
<b>Continuous current</b>		
<ul style="list-style-type: none"> <li>• of the slow DIAZED fuse link</li> <li>• of the quick DIAZED fuse link</li> <li>• of the C characteristic circuit breaker</li> </ul>	A	6
	A	10
	A	1
<b>Mechanical operating cycles as operating time</b>		
<ul style="list-style-type: none"> <li>• typical</li> </ul>		1,000,000
<b>Electrical operating cycles as operating time</b>		
<ul style="list-style-type: none"> <li>• with contactor 3RH11, 3RT1016, 3RT1017, 3RT1024, 3RT1025, 3RT1026 / typical</li> <li>• at AC-15 / at 230 V / typical</li> </ul>		1,000,000
		100,000
<b>Electrical operating cycles in one hour</b>		
<ul style="list-style-type: none"> <li>• with contactor 3RH11, 3RT1016, 3RT1017, 3RT1024, 3RT1025, 3RT1026</li> </ul>		6,000
<b>Repeat accuracy</b>	mm	0.05
<b>Design of the contact element</b>		snap-action contacts
<b>Number of NC contacts</b>		
<ul style="list-style-type: none"> <li>• for auxiliary contacts</li> </ul>		1
<b>Design of the switching function</b>		positive opening
<b>Number of NO contacts</b>		
<ul style="list-style-type: none"> <li>• for auxiliary contacts</li> </ul>		1
<b>Resistance against vibration</b>		0.35 mm / 5g
<b>Resistance against shock</b>		30g / 11 ms
<b>Ambient temperature</b>		
<ul style="list-style-type: none"> <li>• during operating</li> <li>• during storage</li> </ul>	°C	-25 ... +85
	°C	-40 ... +90
<b>Width of the sensor</b>	mm	56
<b>Material</b>		
<ul style="list-style-type: none"> <li>• of the enclosure</li> </ul>		metal
<b>Material / of the housing / of the switch head</b>		metal
<b>Design of the operating mechanism</b>		metal lever, plastic rollers 19 mm, one track
<b>Actuating speed</b>	mm/s / m/s	0.1 ... 1.5
<b>Protection class IP</b>		IP66/IP67
<b>mounting position</b>		any
<b>Cable gland version</b>		3 x (M20 x 1.5)
<b>Design of the electrical connection</b>		screw-type terminals
<b>Item designation</b>		
<ul style="list-style-type: none"> <li>• according to DIN 40719 extendable after IEC 204-2</li> <li>• according to DIN EN 61346-2</li> </ul>		S
		B

Certificates/approvals:

General Product Approval

Functional Safety /  
Safety of  
Machinery

Declaration of  
Conformity



CCC



GOST



UL



VDE



VDE



EG-Konf.

Test Certificates

other

[Special Test Certificate](#)

[Confirmation](#)

Further information:

Information- and Downloadcenter (Catalogs, Brochures,...)

<http://www.siemens.com/industrial-controls/catalogs>

Industry Mall (Online ordering system)

<http://www.siemens.com/industrial-controls/mall>

CAX-Online-Generator

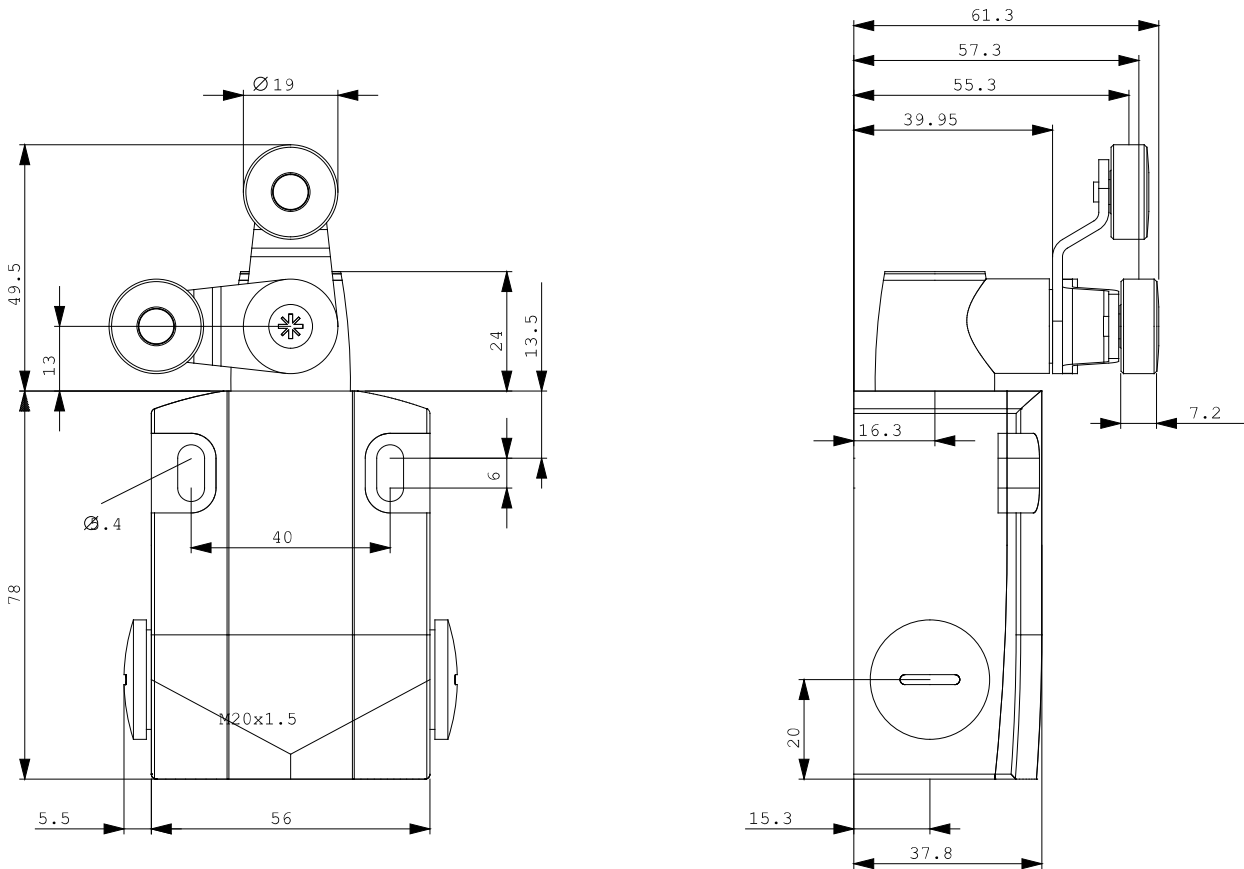
<http://www.siemens.com/cax>

Service&Support (Manuals, Certificates, Characteristics, FAQs,...)

<http://support.automation.siemens.com/WWW/view/en/3SE5122-0CT11/all>

Image database (product images, 2D dimension drawings, 3D models, device circuit diagrams, ...)

[http://www.automation.siemens.com/bilddb/cax\\_en.aspx?mlfb=3SE5122-0CT11](http://www.automation.siemens.com/bilddb/cax_en.aspx?mlfb=3SE5122-0CT11)





last change:

Feb 18, 2013