



SIRUS POSITION SWITCH PLASTIC ENCLOSURE 40MM TO EN50041 DEVICE CONNECTION 1X (M20X1.5) 2NO/1NC SLOW-ACTION CONTACTS METAL ROLLER LEVER AND PLASTIC ROLLER 22MM

| | |
|---|---|
| Manufacturer article number | |
| <ul style="list-style-type: none"> • of the basic unit included in the scope of supply • of the actuator head for position switches included in the scope of supply | <p>3SE5132-0PA00</p> <p>3SE5000-0AE05</p> |

| General technical data: | | |
|--|---|--------------------------|
| Product designation | | standard position switch |
| Explosion protection category for dust | | none |
| Insulation voltage | | |
| <ul style="list-style-type: none"> • rated value | V | 250 |
| Degree of pollution | | class 3 |
| Thermal current | A | 10 |
| Operating current | | |
| <ul style="list-style-type: none"> • at AC-15 <ul style="list-style-type: none"> • at 24 V / rated value • at 125 V / rated value • at 230 V / rated value • at DC-13 <ul style="list-style-type: none"> • at 24 V / rated value • at 125 V / rated value • at 230 V / rated value | A | 6 |
| | A | 6 |
| | A | 1.5 |
| | A | 3 |
| | A | 0.55 |
| | A | 0.27 |
| Continuous current | | |

| | | |
|--|------------|-----------------------------|
| <ul style="list-style-type: none"> • of the slow DIAZED fuse link • of the quick DIAZED fuse link • of the C characteristic circuit breaker | A | 6 |
| | A | 6 |
| | A | 1 |
| Mechanical operating cycles as operating time | | |
| <ul style="list-style-type: none"> • typical | | 15,000,000 |
| Electrical operating cycles as operating time | | |
| <ul style="list-style-type: none"> • with contactor 3RH11, 3RT1016, 3RT1017, 3RT1024, 3RT1025, 3RT1026 / typical | | 10,000,000 |
| <ul style="list-style-type: none"> • at AC-15 / at 230 V / typical | | 100,000 |
| Electrical operating cycles in one hour | | |
| <ul style="list-style-type: none"> • with contactor 3RH11, 3RT1016, 3RT1017, 3RT1024, 3RT1025, 3RT1026 | | 6,000 |
| Repeat accuracy | mm | 0.05 |
| Design of the contact element | | slow-action contacts |
| Number of NC contacts | | |
| <ul style="list-style-type: none"> • for auxiliary contacts | | 1 |
| Design of the switching function | | positive opening |
| Number of NO contacts | | |
| <ul style="list-style-type: none"> • for auxiliary contacts | | 2 |
| Resistance against vibration | | 0.35 mm / 5g |
| Resistance against shock | | 30g / 11 ms |
| Ambient temperature | | |
| <ul style="list-style-type: none"> • during operating | °C | -25 ... +85 |
| <ul style="list-style-type: none"> • during storage | °C | -40 ... +90 |
| Product specification | | |
| <ul style="list-style-type: none"> • for dimensions | | EN 50041 |
| Width of the sensor | mm | 40 |
| Material | | |
| <ul style="list-style-type: none"> • of the enclosure | | plastic |
| Material / of the enclosure / of the switch head | | plastic |
| Design of the operating mechanism | | metal lever, plastic roller |
| Actuating speed | mm/s / m/s | 0.4 ... 2.5 |
| Minimum actuating force / in activation direction | N | 10 |
| Protection class IP | | IP66/IP67 |
| mounting position | | any |
| Cable gland version | | 1x (M20 x 1.5) |
| Design of the electrical connection | | screw-type terminals |
| Reference code | | |
| <ul style="list-style-type: none"> • according to DIN 40719 extended according to IEC 204-2 • according to DIN EN 61346-2 | | S |
| | | B |

Certificates/ approvals:

| General Product Approval | Declaration of Conformity | Test Certificates | other | | |
|--|---|---|---|--|------------------------------|
|  CSA |  |  UL |  EG-Konf. | Special Test Certificate | Confirmation |

Further information:

Information- and Downloadcenter (Catalogs, Brochures,...)

<http://www.siemens.com/industrial-controls/catalogs>

Industry Mall (Online ordering system)

<http://www.siemens.com/industrymall>

Cax online generator

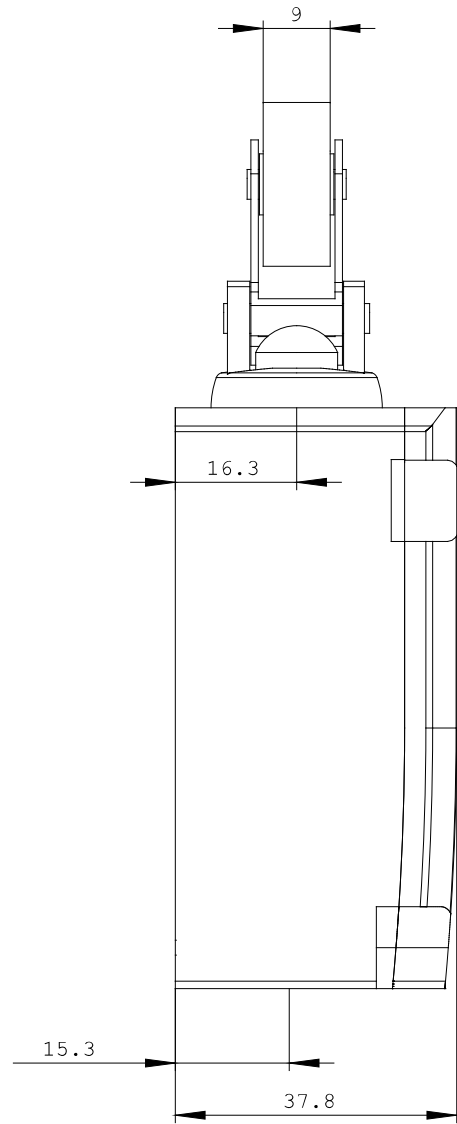
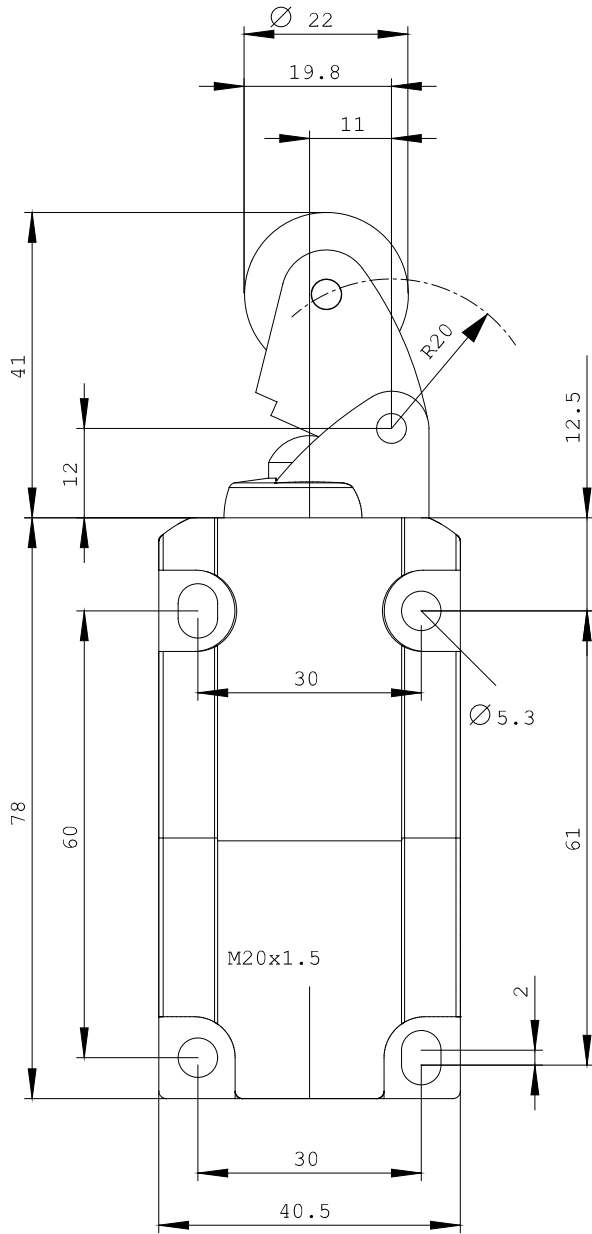
<http://www.siemens.com/cax>

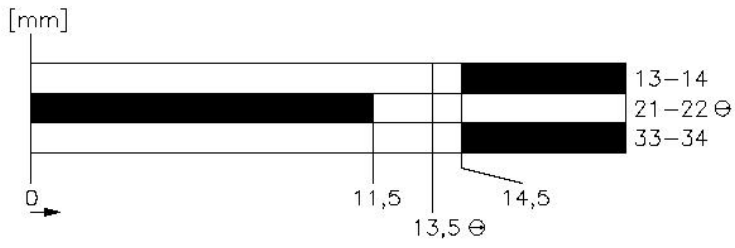
Service&Support (Manuals, Certificates, Characteristics, FAQs,...)

<http://support.automation.siemens.com/WW/view/en/3SE5132-0PE05/all>

Image database (product images, 2D dimension drawings, 3D models, device circuit diagrams, ...)

http://www.automation.siemens.com/bilddb/cax_en.aspx?mlfb=3SE5132-0PE05





last change:

Jul 24, 2014