



BASIC SWITCH FOR POSITION SWITCH 3SE5162, METAL HOUSING XL, WIDTH 56MM DEVICE CONNECTION 3X(M20X1.5), IP66/IP67 2X (1NO/2NC)SLOW-ACTION CONTACTS WITH OVERLAP WITHOUT ACTUATOR HEAD, WITH ENHANCED CORROSION PROTECTION

<b>Manufacturer article number</b>		
<ul style="list-style-type: none"> <li>of the basic unit included in the scope of supply</li> </ul>		<a href="#">3SE5162-0DA00-1CA0</a>

General technical details:		
<b>product designation</b>		basic switch for standard position switches
<b>Product feature</b>		increased corrosion protection
<b>Explosion protection category for dust</b>		none
<b>Insulation voltage</b>		
<ul style="list-style-type: none"> <li>rated value</li> </ul>	V	250
<b>Degree of pollution</b>		class 3
<b>Thermal current</b>	A	10
<b>Operating current</b>		
<ul style="list-style-type: none"> <li>at AC-15                             <ul style="list-style-type: none"> <li>at 24 V / rated value</li> <li>at 125 V / rated value</li> <li>at 230 V / rated value</li> </ul> </li> <li>at DC-13                             <ul style="list-style-type: none"> <li>at 24 V / rated value</li> <li>at 125 V / rated value</li> <li>at 230 V / rated value</li> </ul> </li> </ul>	A	6
	A	6
	A	1.5
	A	3
	A	0.55
	A	0.27
<b>Continuous current</b>		

<ul style="list-style-type: none"> <li>• of the slow DIAZED fuse link</li> </ul>	A	6
<ul style="list-style-type: none"> <li>• of the quick DIAZED fuse link</li> </ul>	A	6
<ul style="list-style-type: none"> <li>• of the C characteristic circuit breaker</li> </ul>	A	1
<b>Mechanical operating cycles as operating time</b>		
<ul style="list-style-type: none"> <li>• typical</li> </ul>		5,000,000
<b>Electrical operating cycles as operating time</b>		
<ul style="list-style-type: none"> <li>• with contactor 3RH11, 3RT1016, 3RT1017, 3RT1024, 3RT1025, 3RT1026 / typical</li> </ul>		5,000,000
<ul style="list-style-type: none"> <li>• at AC-15 / at 230 V / typical</li> </ul>		100,000
<b>Electrical operating cycles in one hour</b>		
<ul style="list-style-type: none"> <li>• with contactor 3RH11, 3RT1016, 3RT1017, 3RT1024, 3RT1025, 3RT1026</li> </ul>		6,000
<b>Repeat accuracy</b>	mm	0.05
<b>Design of the contact element</b>		slow-action contacts
<b>Number of NC contacts</b>		
<ul style="list-style-type: none"> <li>• for auxiliary contacts</li> </ul>		4
<b>Design of the switching function</b>		Positive opening with appropriate positive opening actuator head
<b>Number of NO contacts</b>		
<ul style="list-style-type: none"> <li>• for auxiliary contacts</li> </ul>		2
<b>Resistance against vibration</b>		0.35 mm / 5g
<b>Resistance against shock</b>		30g / 11 ms
<b>Ambient temperature</b>		
<ul style="list-style-type: none"> <li>• during operating</li> </ul>	°C	-25 ... +85
<ul style="list-style-type: none"> <li>• during storage</li> </ul>	°C	-40 ... +90
<b>Width of the sensor</b>	mm	56
<b>Material</b>		
<ul style="list-style-type: none"> <li>• of the enclosure</li> </ul>		metal
<b>Design of the operating mechanism</b>		without
<b>Actuating speed</b>	mm/s / m/s	0.4 ... 2.5
<b>Minimum actuating force / in activation direction</b>	N	30
<b>Protection class IP</b>		IP66/IP67
<b>mounting position</b>		any
<b>Cable gland version</b>		3 x (M20 x 1.5)
<b>Design of the electrical connection</b>		screw-type terminals
<b>Item designation</b>		
<ul style="list-style-type: none"> <li>• according to DIN 40719 extendable after IEC 204-2</li> </ul>		S
<ul style="list-style-type: none"> <li>• according to DIN EN 61346-2</li> </ul>		B

#### Certificates/approvals:

**General Product Approval****Declaration of  
Conformity****Test Certificates**

CCC



GOST



UL



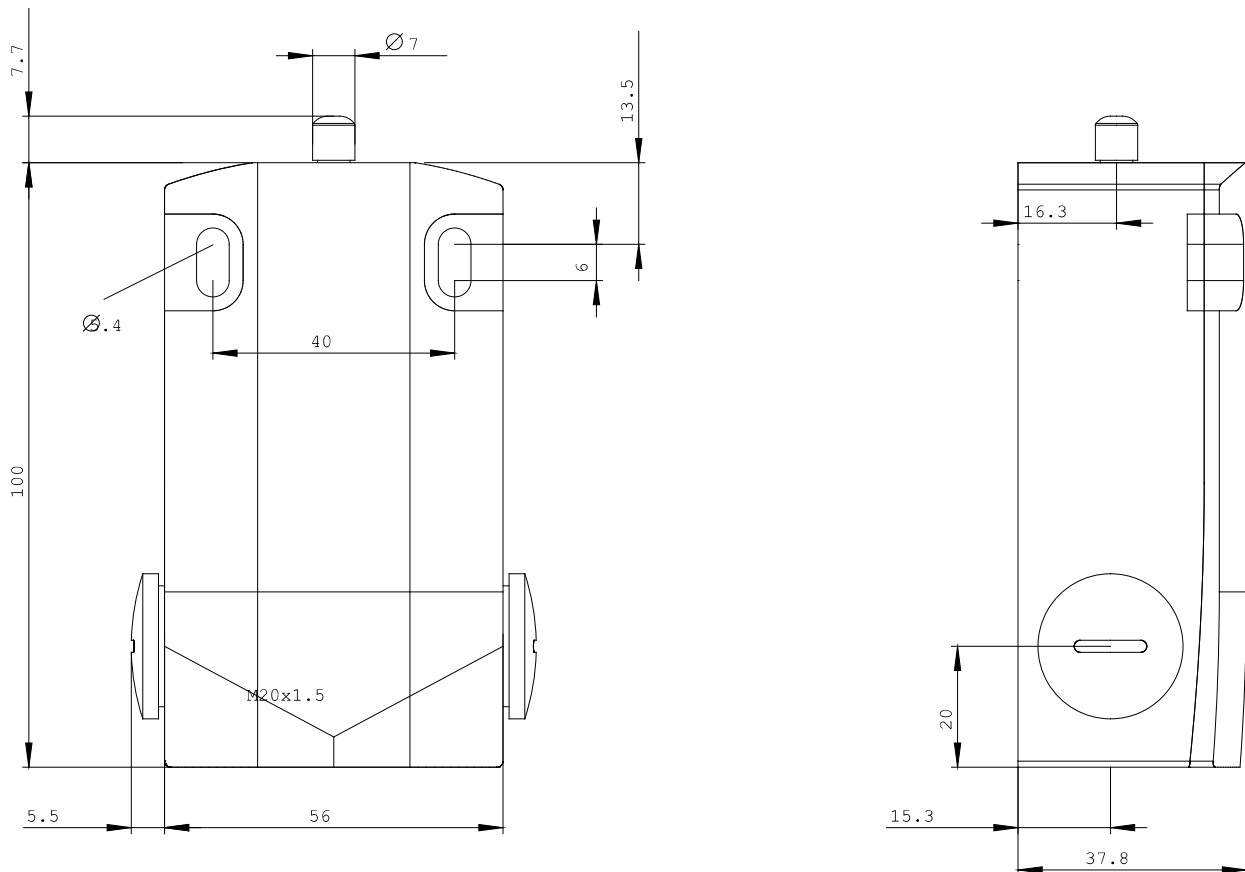
VDE



EG-Konf.

[Special Test  
Certificate](#)

other

[Confirmation](#)**Further information:****Information- and Downloadcenter (Catalogs, Brochures,...)**<http://www.siemens.com/industrial-controls/catalogs>**Industry Mall (Online ordering system)**<http://www.siemens.com/industrial-controls/mall>**CAX-Online-Generator**<http://www.siemens.com/cax>**Service&Support (Manuals, Certificates, Characteristics, FAQs,...)**<http://support.automation.siemens.com/WW/view/en/3SE5162-0DA00-1CA0/all>**Image database (product images, 2D dimension drawings, 3D models, device circuit diagrams, ...)**[http://www.automation.siemens.com/bilddb/cax\\_en.aspx?mlfb=3SE5162-0DA00-1CA0](http://www.automation.siemens.com/bilddb/cax_en.aspx?mlfb=3SE5162-0DA00-1CA0)

last change:

Feb 18, 2013