



HOUSING FOR POSITION SWITCH W. INCREASED CORROSION PROT. PLASTIC HOUSING WIDE ACC. TO EN50047, 50MM 2X(M20X1.5); W. COVER TURQUOISE AND PLUNGER

General technical data:		
Product designation		empty enclosure EKS, EN 50047, plastic, wide, cover turquoise
Product feature		increased corrosion protection
Explosion protection category for dust		none
Degree of pollution		class 3
Repeat accuracy	mm	0.05
Design of the switching function		Positive opening with appropriate positive opening actuator head and switching element
Resistance against vibration		0.35 mm / 5g
Resistance against shock		30g / 11 ms
Ambient temperature		
• during operating	°C	-25 ... +85
• during storage	°C	-40 ... +90
Width of the sensor	mm	50
Material		
• of the enclosure		plastic
Material / of the enclosure / of the switch head		plastic
Design of the operating mechanism		teflon plunger
Actuating speed	/ m/s	1.5
Minimum actuating force / in activation direction	N	20

Protection class IP		IP66/IP67
mounting position		any
Cable gland version		2 x (M20 x 1.5)
Reference code		E U
<ul style="list-style-type: none"> • according to DIN 40719 extended according to IEC 204-2 • according to DIN EN 61346-2 		

Certificates/ approvals:

General Product Approval	Declaration of Conformity	Test Certificates
 CCC  CSA  EAC  UL	 CE EG-Konf.	Special Test Certificate

other

[Confirmation](#)

Further information:

Information- and Downloadcenter (Catalogs, Brochures,...)

<http://www.siemens.com/industrial-controls/catalogs>

Industry Mall (Online ordering system)

<http://www.siemens.com/industrial-controls/mall>

Cax online generator

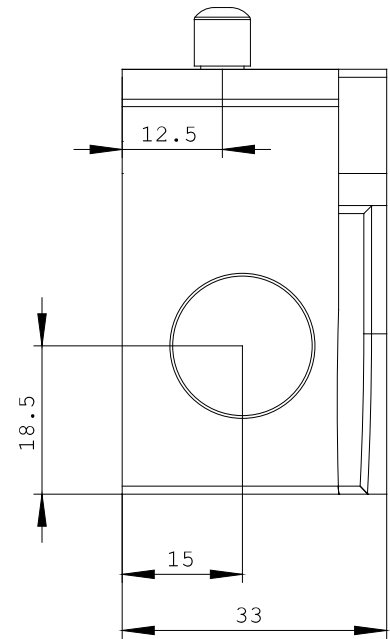
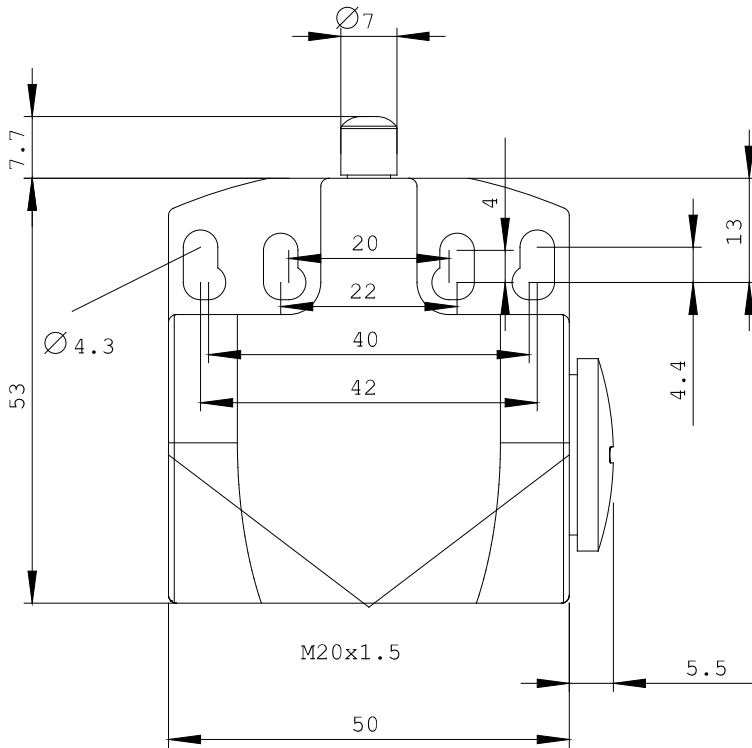
<http://www.siemens.com/cax>

Service&Support (Manuals, Certificates, Characteristics, FAQs,...)

<http://support.automation.siemens.com/WWW/view/en/3SE5242-0AC05-1CA0/all>

Image database (product images, 2D dimension drawings, 3D models, device circuit diagrams, ...)

http://www.automation.siemens.com/bilddb/cax_en.aspx?mlfb=3SE5242-0AC05-1CA0



last change:

Jul 28, 2014