



SAFETY POSITION SWITCHES WITH SOLENOID INTERLOCKING LOCK. FORCE 2600N,5 APPR. DIR. METAL HOUSING,3X(M20X1.5) SPRING-LOCKED, AUXILIARY RELEASE W. LOCK MAGNET VOLTAGE 230V AC, MONITOR. OF ACTUATOR 2NC/1NO, MONITOR. OF MAGNET 2NC/1NO







General technical details:		
<b>Explosion protection category for dust</b>		none
<b>Supply voltage</b>		
• of the magnet coil	V	230
<b>Relative ON period</b>		
• of the magnet coil	%	100
<b>Recorded real power</b>		
• of the magnet coil	W	3.5
<b>Insulation voltage</b>		
• rated value	V	250
<b>Degree of pollution</b>		class 3
<b>Thermal current</b>	A	6
<b>Operating current</b>		
• at AC-15		
• at 24 V / rated value	A	6
• at 125 V / rated value	A	3
• at 230 V / rated value	A	1.5
• at DC-13		
• at 24 V / rated value	A	3
• at 125 V / rated value	A	0.55

• at 230 V / rated value	A	0.27
<b>Continuous current</b>		
• of the slow DIAZED fuse link	A	6
• of the quick DIAZED fuse link	A	10
• of the C characteristic circuit breaker	A	0.5
<b>Mechanical operating cycles as operating time / typical</b>		1,000,000
<b>Electrical operating cycles as operating time</b>		
• with contactor 3RH11, 3RT1016, 3RT1017, 3RT1024, 3RT1025, 3RT1026 / typical		1,000,000
<b>Electrical operating cycles in one hour</b>		
• with contactor 3RH11, 3RT1016, 3RT1017, 3RT1024, 3RT1025, 3RT1026		6,000
<b>Repeat accuracy</b>	mm	0.05
<b>Design of the contact element</b>		slow-action contacts
<b>Number of NC contacts</b>		
• for the position surveillance of the locking element		2
<b>Number of NC contacts</b>		
• for the position surveillance of the activation element		2
<b>Number of NO contacts</b>		
• for the position surveillance of the locking element		1
<b>Number of NO contacts</b>		
• for the position surveillance of the activation element		1
<b>Design of the switching function</b>		positive opening
<b>Resistance against vibration</b>		0.35 mm / 5g
<b>Resistance against shock</b>		30g / 11 ms
<b>Ambient temperature</b>		
• during operating	°C	-25 ... +60
• during storage	°C	-40 ... +80
<b>Width of the sensor</b>	mm	54
<b>Material</b>		
• of the enclosure		metal
<b>Material / of the housing / of the switch head</b>		metal
<b>Design of the operating mechanism</b>		5 directions of approach
<b>Actuating speed</b>	m/s	0.4 ... 1.5
<b>Minimum actuating force</b>	N	30
<b>Protection class IP</b>		IP66/IP67
<b>mounting position</b>		any
<b>Cable gland version</b>		3 x (M20 x 1.5)
<b>Design of the electrical connection</b>		screw-type terminals
<b>Item designation</b>		

- according to DIN 40719 extendable after IEC 204-2 / according to IEC 750
- according to DIN EN 61346-2

S
B

### Certificates/approvals:

General Product Approval			Functional Safety / Safety of Machinery		Declaration of Conformity
 CCC	 CSA	 GOST	 VDE	 VDE	 EG-Konf.
<b>Test Certificates</b>	<b>other</b>				
<a href="#">Special Test Certificate</a>	<a href="#">Confirmation</a>				

### Further information:

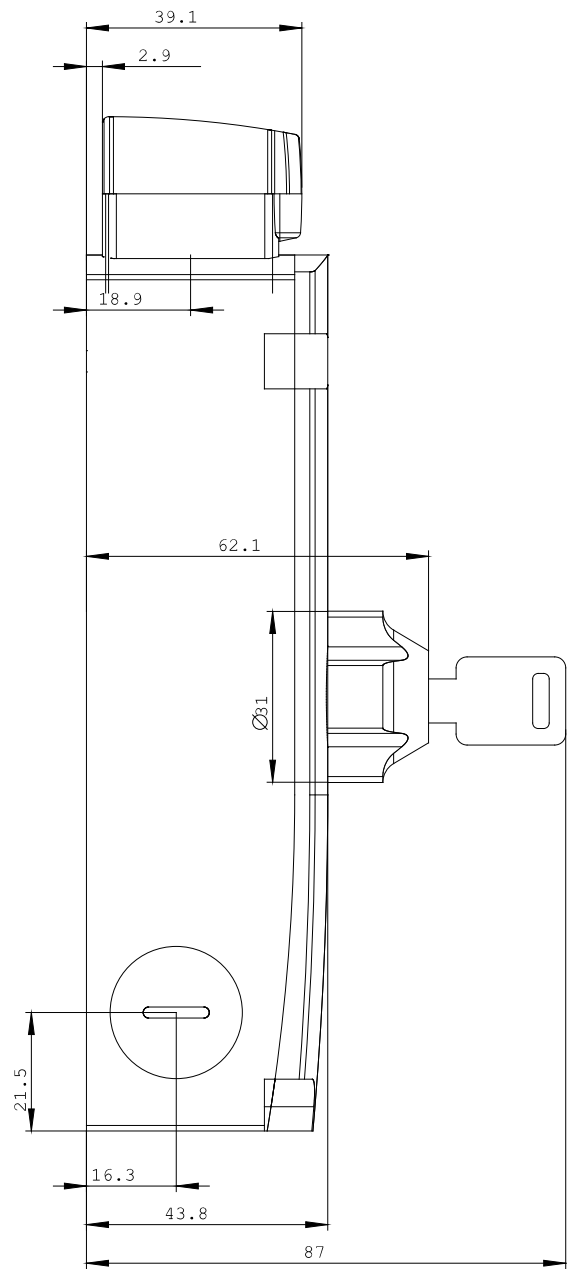
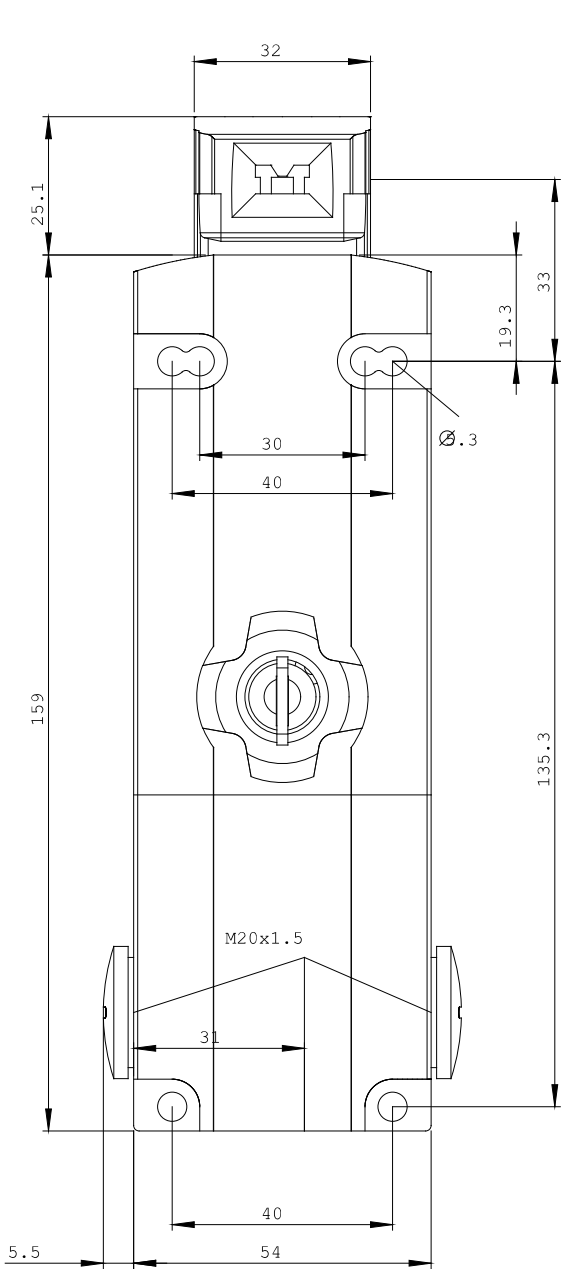
**Information- and Downloadcenter (Catalogs, Brochures,...)**  
<http://www.siemens.com/industrial-controls/catalogs>

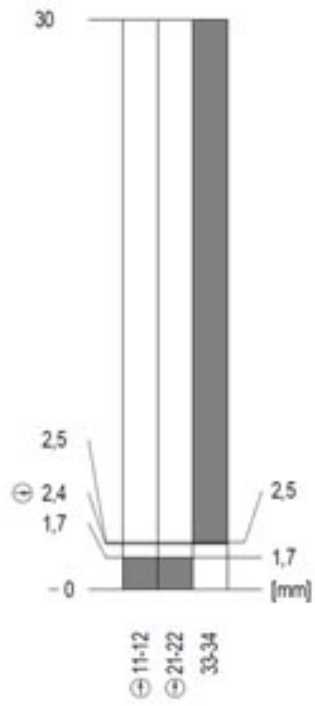
**Industry Mall (Online ordering system)**  
<http://www.siemens.com/industrial-controls/mall>

**Cax online generator:**  
<http://www.siemens.com/cax>

**Service&Support (Manuals, Certificates, Characteristics, FAQs,...)**  
<http://support.automation.siemens.com/WWW/view/en/3SE5312-0SE13/all>

**Image database (product images, 2D dimension drawings, 3D models, device circuit diagrams, ...)**  
[http://www.automation.siemens.com/bilddb/cax\\_en.aspx?mlfb=3SE5312-0SE13](http://www.automation.siemens.com/bilddb/cax_en.aspx?mlfb=3SE5312-0SE13)





last change:

Jan 21, 2013