

SAFETY CABLE-OPERATED SWITCH 1NO/1NC,
RED LED, 115 V, STEUTE



General technical details:

product designation		cable-operated switch
Supply voltage	V	115 ... 115
Number of indicator lights		1
Type of unlocking device		push-to-unlatch mechanism
Rope length / maximum	m	50
Product component / EMERGENCY STOP device		No
Item designation / according to DIN 40719 extendable after IEC 204-2 / according to IEC 750		S
Item designation / according to DIN EN 61346-2		S
Width	mm	166
Height	mm	105
Depth	mm	88

Enclosure:

Type of mounting		screw fixing
Material / of the enclosure		metal
Color / of top part of the enclosure		grey

Contact:

Number of NC contacts / for auxiliary contacts		1
--	--	---

Number of NO contacts / for auxiliary contacts	1
Switching function / arresting lock	Yes

Certificates/approvals:

General Product Approval



Declaration of Conformity

Shipping Approval



Ambient conditions:

Protection class IP	IP65
Ambient temperature	°C -25 ... +70
• during operating	

Further information:

Information- and Downloadcenter (Catalogs, Brochures,...)

<http://www.siemens.com/industrial-controls/catalogs>

Industry Mall (Online ordering system)

<http://www.siemens.com/industrial-controls/mall>

CAx-Online-Generator

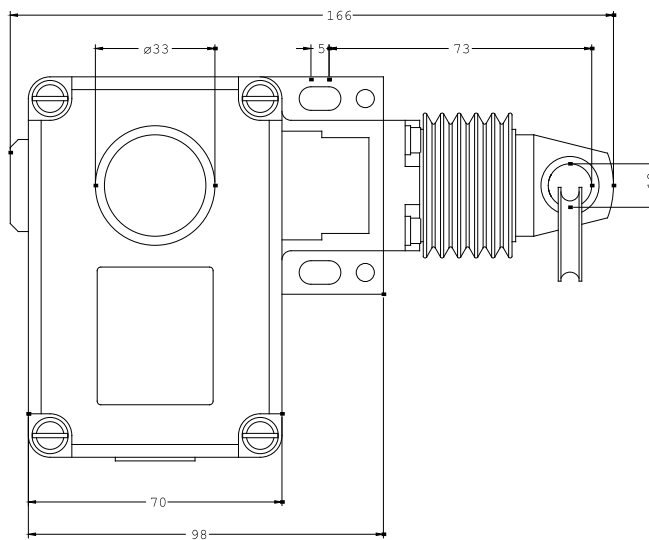
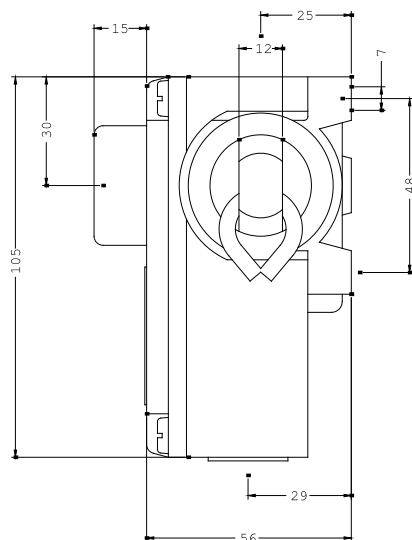
<http://www.siemens.com/cax>

Service&Support (Manuals, Certificates, Characteristics, FAQs,...)

<http://support.automation.siemens.com/WW/view/en/3SE7140-1BD00-0AS0/all>

Image database (product images, 2D dimension drawings, 3D models, device circuit diagrams, ...)

http://www.automation.siemens.com/bilddb/cax_en.aspx?mlfb=3SE7140-1BD00-0AS0



last change:

Jan 21, 2013