



SAFETY POS. SWITCH W. SEPARATE ACTUATOR,
 5 DIRECT.OF APPROACH MOLDED-PLASTIC
 ENCLOSURE,
 50 MM ASISAFE INTEGRATED AS-I STATUS:1:F-IN1 ,
 2:F-IN2 3:AS-I/FAULT SLOW-ACTION CONTACTS 1NC,
 W/ M12 CONNECTOR 4-POLE CHANNEL 1 ON
 NC,CHANNEL 2 ON NC

General technical details:

product designation		position switch with separate actuator with ASIsafe
Product feature		with integrated ASIsafe electronics
Type of voltage / of the supply voltage • of the optional LED display		DC
Insulation voltage • rated value	V	30
Degree of pollution		class 3
Mechanical operating cycles as operating time • typical		1,000,000
Repeat accuracy	mm	0.1
Design of the contact element		slow-action contacts
Number of NC contacts • for auxiliary contacts		2
Design of the switching function		positive opening
Number of NO contacts • for auxiliary contacts		0
Resistance against vibration		0.35 mm / 5g
Resistance against shock		30g / 11 ms
Ambient temperature		

<ul style="list-style-type: none"> during operating during storage 	°C	-25 ... +60
	°C	-40 ... +80
Width of the sensor	mm	50
Material <ul style="list-style-type: none"> of the enclosure 		plastic
Material / of the housing / of the switch head		plastic enclosure
Design of the operating mechanism		5 directions of approach
Actuating speed	mm/s / m/s	0.4 ... 0.5
Minimum actuating force / in activation direction	N	10
Protection class IP		IP66/IP67
mounting position		any
Design of the electrical connection		M12 plug, fixed, 4-pole
Design of the plug-in connection		M12 plug, 4-pole: Pin 1 = ASI+ , Pin 2 = not assigned, Pin 3= ASI-, Pin 4 = not assigned
Manufacturer article number <ul style="list-style-type: none"> of the optional actuators 		3SE5000-0AV01 standard actuator, 3SE5000-0AV02 actuator with vertical fixing, 3SE5000-0AV03 actuator with transverse fixing, 3SE5000-0AV04 radius actuator left, 3SE5000-0AV05 universal actuator, 3SE5000-0AV06 radius actuator right
Item designation <ul style="list-style-type: none"> according to DIN 40719 extendable after IEC 204-2 / according to IEC 750 according to DIN EN 61346-2 		S B

Certificates/approvals:

General Product Approval



CCC



CSA



GOST



TUV



UL



VDE

Functional Safety / Safety of Machinery



VDE

Declaration of Conformity



EG-Konf.

Test Certificates

[Special Test Certificate](#)

Further information:

Information- and Downloadcenter (Catalogs, Brochures,...)

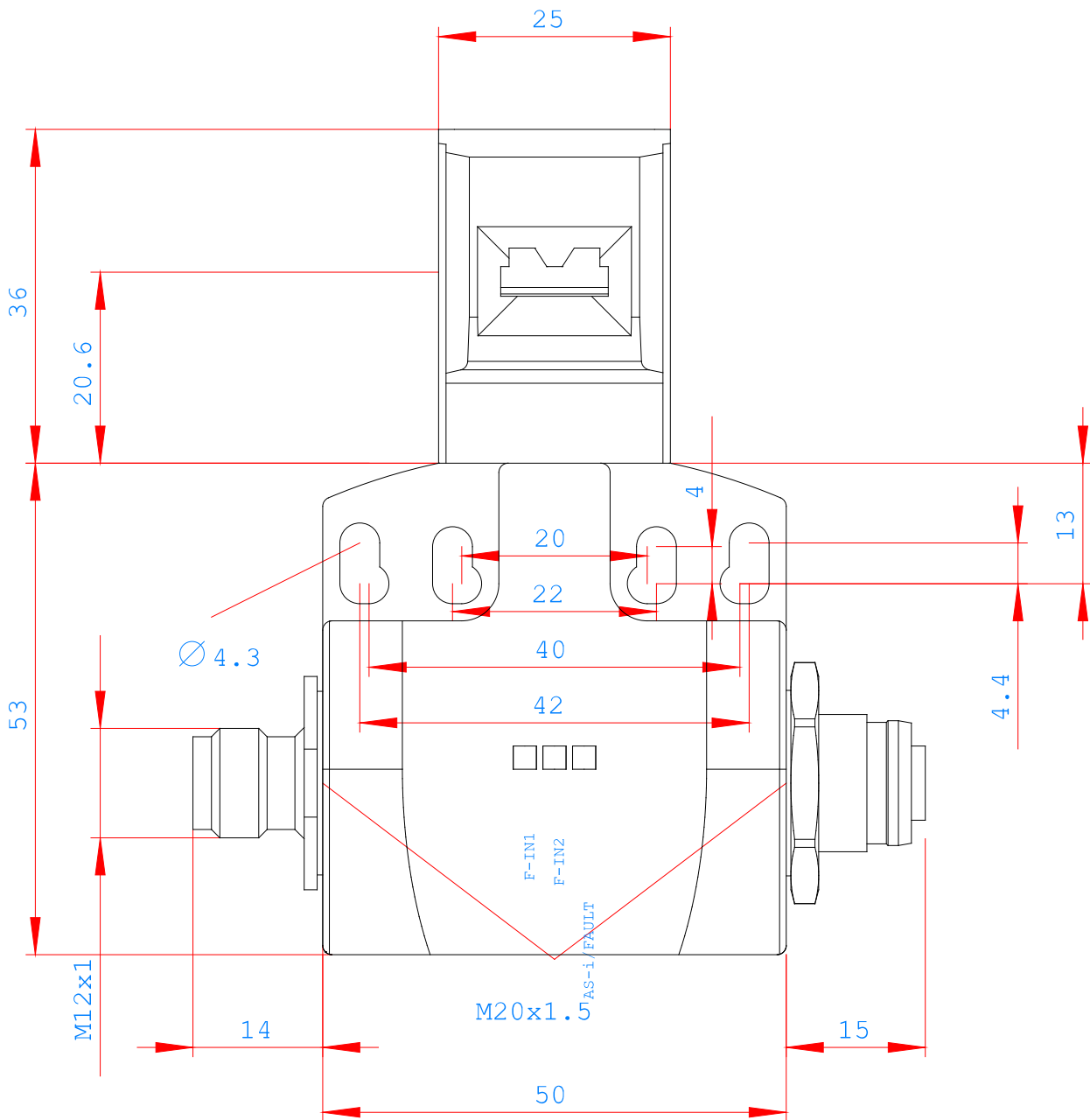
<http://www.siemens.com/industrial-controls/catalogs>

Industry Mall (Online ordering system)

<http://www.siemens.com/industrial-controls/mall>

CAX-Online-Generator

<http://www.siemens.com/cax>



last change:

Jan 21, 2013