

SAFETY POSITION SWITCHES WITH SOLENOID INTERLOCKING LOCKING FORCE 2600N, 5 DIR. OF APPROACH METAL ENCLOSURE, M12 CONNECTOR, ASISAFE INTEGRATED CH1=ACTUATOR 1NC, CH2=MAGNET 1NC SPRING-ACTUATED LOCK, AUX. RELEASE W. LOCK ON FRONT, MAGNET VOLTAGE 24V DC/AC, MONITORING OF ACTUATOR 2NC/1NO, MONITORING OF MAGNET 2NC/1NO THE MATCHING SEPARATE ACTUATOR 3SE5000-0AV0. IS TO BE ORDERED SEPARATELY

General technical details:

product designation		position switch with tumbler
Product feature		with integrated ASIsafe electronics
Verification of suitability		CE / UL / CSA / CCC / VDE / TÜV
Supply voltage		
• of the magnet coil	V	24
Type of voltage / of the supply voltage		
• of the optional LED display		DC
Relative ON period		
• of the magnet coil	%	100
Recorded real power		
• of the magnet coil	W	3.5
Insulation voltage		
• rated value	V	30
Degree of pollution		class 3
Thermal current	A	4
Operating current		
• at AC-15		
• at 24 V / rated value	A	4
• at DC-13		

• at 24 V / rated value	A	3
Continuous current		
• of the slow DIAZED fuse link	A	4
• of the quick DIAZED fuse link	A	4
• of the C characteristic circuit breaker	A	0.5
Mechanical operating cycles as operating time		
• typical		1,000,000
Electrical operating cycles as operating time		
• with contactor 3RH11, 3RT1016, 3RT1017, 3RT1024, 3RT1025, 3RT1026 / typical		1,000,000
Electrical operating cycles in one hour		
• with contactor 3RH11, 3RT1016, 3RT1017, 3RT1024, 3RT1025, 3RT1026		6,000
Repeat accuracy	mm	0.1
Design of the contact element		slow-action contacts
Number of NC contacts		
• for the position surveillance of the locking element		1
• for the position surveillance of the activation element		1
Number of NO contacts		
• for the position surveillance of the locking element		0
• for the position surveillance of the activation element		0
Design of the switching function		positive opening
Resistance against vibration		0.35 mm / 5g
Resistance against shock		30g / 11 ms
Ambient temperature		
• during operating	°C	-25 ... +60
• during storage	°C	-40 ... +80
Width of the sensor	mm	54
Material		
• of the enclosure		metal
Material / of the housing / of the switch head		metal
Design of the operating mechanism		5 directions of approach
Actuating speed	mm/s / m/s	0.4 ... 1.5
Minimum actuating force / in activation direction	N	30
Protection class IP		IP66/IP67
mounting position		any
Design of the electrical connection		M12 plug, fixed
Design of the plug-in connection		M12 plug, 4-pole: Pin 1 = ASI+ , Pin 2 = not assigned, Pin 3= ASI-, Pin 4 = not assigned
Manufacturer article number		

- of the optional actuators

standard, with transverse fixing, with vertical fixing, radius actuator, universal actuator

Item designation

- according to DIN 40719 extendable after IEC 204-2 / according to IEC 750
- according to DIN EN 61346-2

S
B

Certificates/approvals:

General Product Approval



CCC



CSA



GOST



TUV



UL



VDE

Functional Safety /
Safety of
Machinery

Declaration of
Conformity

Test Certificates

other



VDE



EG-Konf.

[Special Test
Certificate](#)

[other](#)

Further information:

Information- and Downloadcenter (Catalogs, Brochures,...)

<http://www.siemens.com/industrial-controls/catalogs>

Industry Mall (Online ordering system)

<http://www.siemens.com/industrial-controls/mall>

CAX-Online-Generator

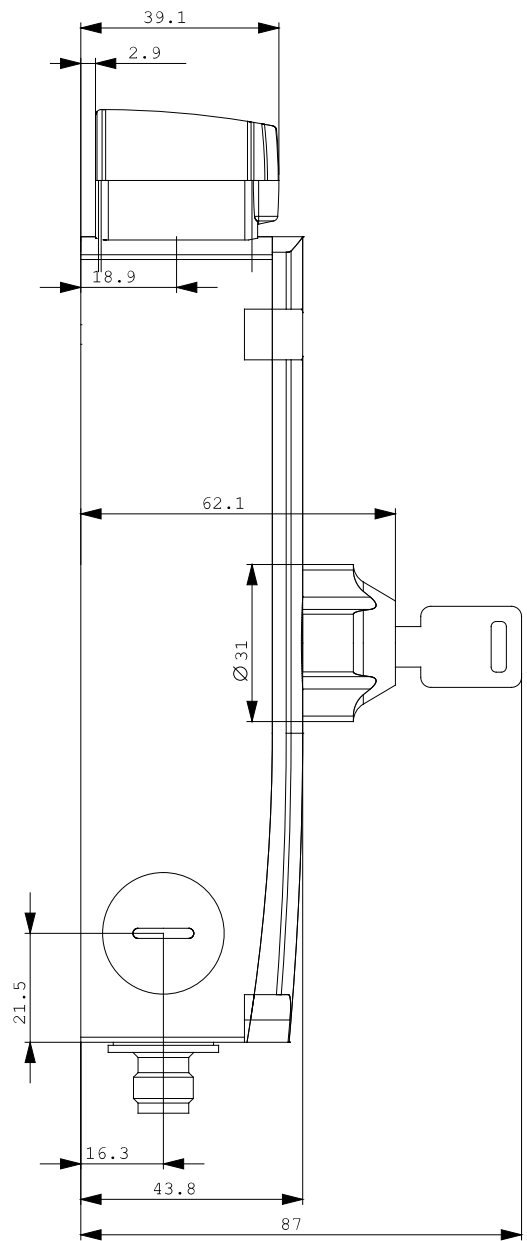
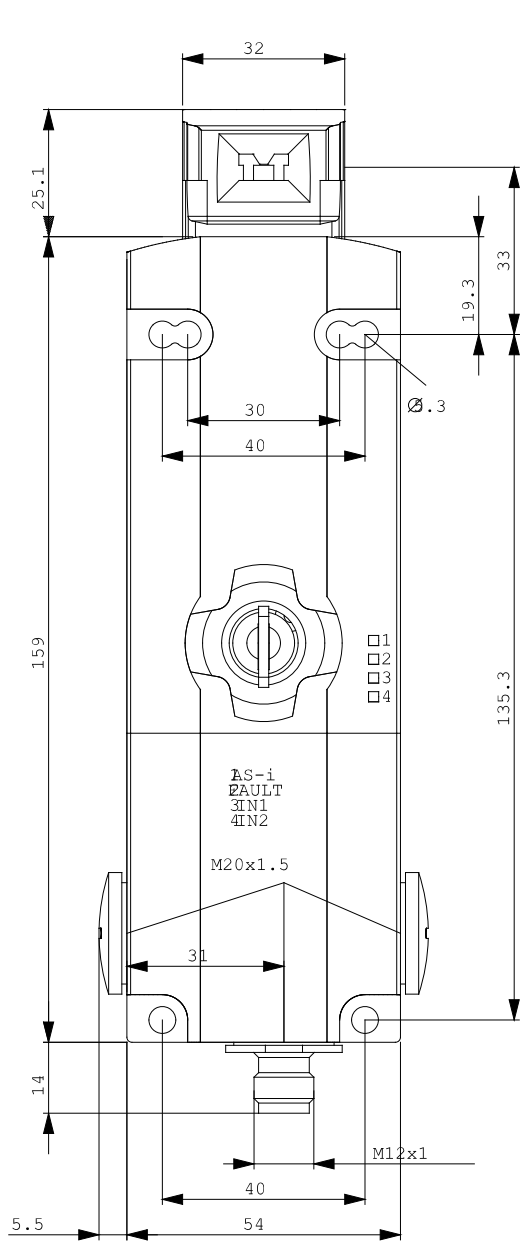
<http://www.siemens.com/cax>

Service&Support (Manuals, Certificates, Characteristics, FAQs,...)

<http://support.automation.siemens.com/WW/view/en/3SF1314-1SE11-1BA1/all>

Image database (product images, 2D dimension drawings, 3D models, device circuit diagrams, ...)

http://www.automation.siemens.com/bilddb/cax_en.aspx?mlfb=3SF1314-1SE11-1BA1



last change:

Jan 21, 2013