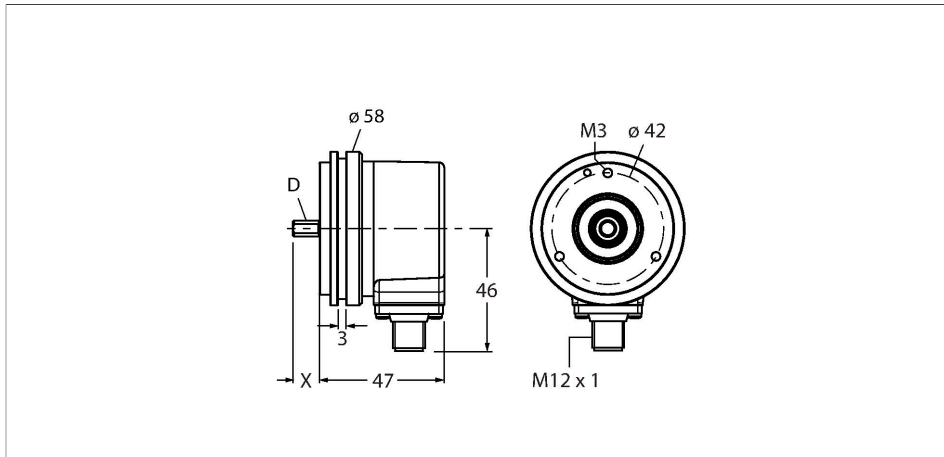


REI-E-113T12S-2B5000-H1181

Incremental Encoder

Efficiency Line



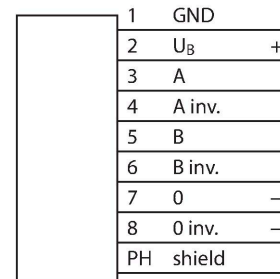
Features

- Synchro flange, Ø 58 mm
- Solid shaft, Ø 12 mm × 20 mm
- Optical measuring principle
- Shaft material: stainless steel
- Protection class IP64 on housing and shaft side
- -20...+70 °C
- Max. 4500 rpm (continuous operation 3000 rpm)
- 10...30 VDC
- Male connector, M12 x 1, 8-pole
- Push-pull, with inverted signals
- Pulse frequency max. 300 kHz
- 5000 pulses per revolution

Technical data

| | |
|---|---|
| Type | REI-E-113T12S-2B5000-H1181 |
| Ident. no. | 100011590 |
| Measuring principle | Optical |
| Max. Rotational Speed | 4500 rpm |
| Moment of inertia of the rotor | 1.8 x 10 ⁻⁶ kgm ² |
| Starting torque | < 0.05 Nm |
| Ambient temperature | -20...+70 °C |
| Operating voltage | 10...30 VDC |
| No-load current | ≤ 100 mA |
| Output current | ≤ 30 mA |
| Short-circuit protection | yes |
| Wire breakage/Reverse polarity protection | yes |
| Output type | Incremental |
| Resolution, incremental | 5000 ppr |
| Pulse frequency max. | 300 kHz |
| Signal level high | min. U _B - 1 V |
| Signal level low | max. 0.5 V |
| Output function | Push-Pull/HTL, with inverted signals |
| Design | Solid shaft |
| Flange type | Synchro flange |
| Flange diameter | Ø 58 mm |
| Shaft Type | Solid shaft |
| Shaft diameter D [mm] | 12 |

Wiring diagram



Technical data

| | |
|-------------------------------------|--|
| Wavelength L [mm] | 20 |
| Shaft material | Stainless steel |
| Housing material | Die-cast zinc |
| Electrical connection | Connector, M12 × 1 |
| | 8-pin |
| Axial shaft load | 40 N |
| Radial shaft load | 80 N |
| Vibration resistance (EN 60068-2-6) | 10 g (100 m/s ²), 10...2000 Hz |
| Shock resistance (EN 60068-2-27) | 1000 m/s ² , 6 ms |
| Protection class | IP64 |
| Protection class shaft | IP64 |

Accessories

RCS-19-12-12 1545354

Bellows coupling, outer diameter: 19 mm, bore diameter: 12 mm/12 mm

RCS-19-12-10 1545355

Bellows coupling, outer diameter: 19 mm, bore diameter: 12 mm/10 mm

Wiring accessories

| Dimension drawing | Type | Ident. no. | |
|-------------------|-------------|------------|--|
| | RKC8T-2/TXL | 6625142 | Connection cable, female M12, straight, 8-pin, cable length: 2 m, sheath material: PUR, black; cULus approval; other cable lengths and qualities available, see www.turck.com |