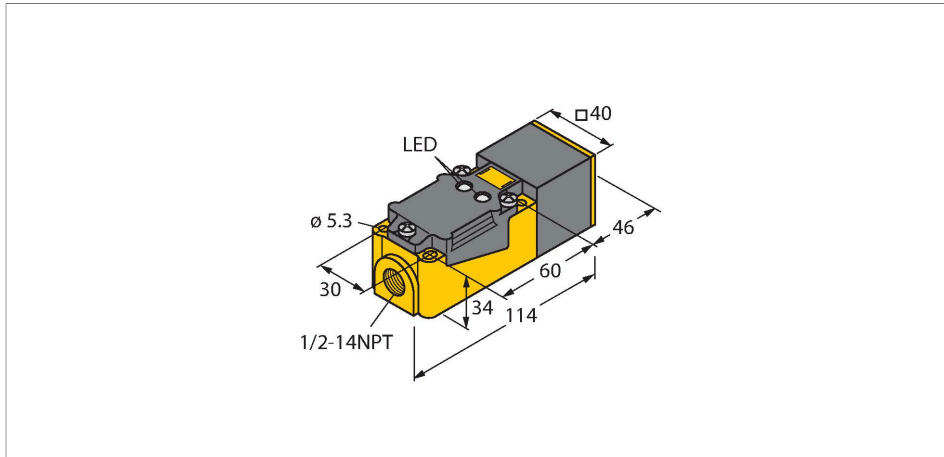


NI20-CP40-FZ3X2/S110-S10

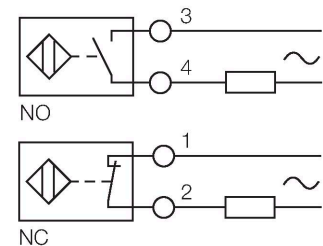
Inductive Sensor



Features

- Rectangular, height 40 mm
- Variable orientation of active face in 9 directions
- Plastic, PBT-GF30-V0
- Jam control and anti-collision
- Adjustable runtime
- Thread, 1/2-14 NPT
- AC 2-wire, 20...250 VAC
- NC/NO programmable
- Terminal chamber

Wiring diagram

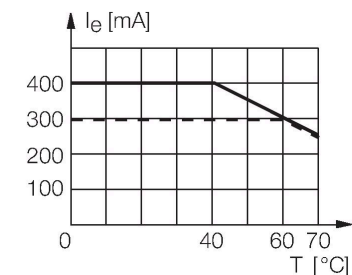


Technical data

Type	NI20-CP40-FZ3X2/S110-S10
Ident. no.	13746
Special version	S110-S10 corresponds to: Configurable switch-off delay Maximum ambient temperature = 100 °C
Rated switching distance	20 mm
Mounting conditions	Non-flush
Secured operating distance	$\leq (0.81 \times S_n)$ mm
Correction factors	St37 = 1; Al = 0.3; stainless steel = 0.7; Ms = 0.4
Repeat accuracy	≤ 2 % of full scale
Temperature drift	$\leq \pm 10$ %
Hysteresis	3...15 %
Ambient temperature	-25...+70 °C
Operating voltage	20...250 VAC
Frequency	$\geq 50 \dots \leq 60$ Hz
Residual current	≤ 1.7 mA
Isolation test voltage	≤ 1.5 kV
Surge current	≤ 8 A (≤ 10 ms max. 5 Hz)
Time delay	0.5 - 20 s
Voltage drop at I_e	≤ 6 V
Output function	2-wire, Connection programmable
Smallest operating current	≥ 3 mA
Switching frequency	0.02 kHz

Functional principle

Inductive sensors with integrated time delay work according to the same function principle as standard inductive sensors. The output of this version is additionally equipped with an adjustable timer function. The timer function can be re-triggered, i.e. attenuating and unattenuating during the runtime activates the time delay again. The time is adjusted via a potentiometer in the sensor head.

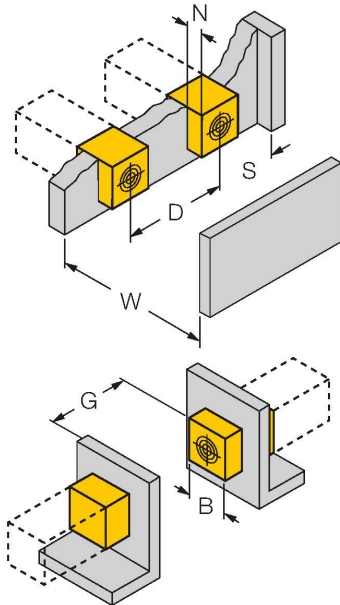


Technical data

Design	Rectangular, CP40
Dimensions	114 x 40 x 40 mm
Housing material	Plastic, PBT-GF30-V0, Black
Active area material	Plastic, PBT-GF30-V0, yellow
Electrical connection	Terminal chamber
Clamping ability	$\leq 2.5 \text{ mm}^2$
Vibration resistance	55 Hz (1 mm)
Shock resistance	30 g (11 ms)
Protection class	IP67
Power-on indication	2 x LEDs, Green
Switching state	2 x LEDs, Yellow

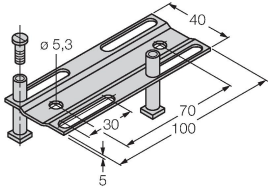
Mounting instructions

Mounting instructions/Description



Distance D	3 x B
Distance W	3 x Sn
Distance S	1.5 x B
Distance G	6 x Sn
Distance N	1 x B
Width active area B	40 mm

Accessories

Adjusting bar JS 025/037**69429**Adjusting bar for rectangular housings
CK/CP40; material: VA 1.4301**BSS-CP40****6901318**Mounting clamp for rectangular
housings 40 x 40 mm; material:
Polypropylene