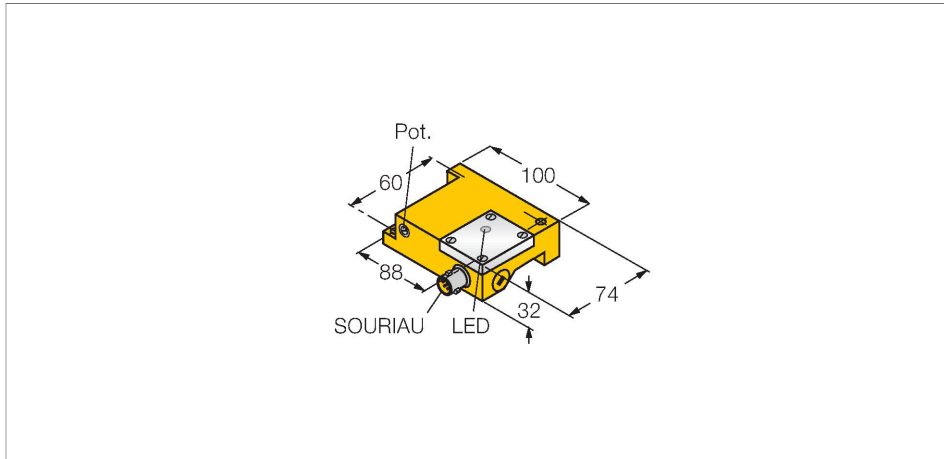


# S32SR-AP44X-S1131

## Inductive Sensor – Amplifier for Ring Probe



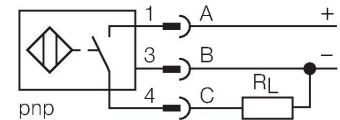
### Features

- Rectangular, height 32 mm
- Plastic, ABS
- Static output behaviour
- Sensitivity adjusted via potentiometer
- Modular design, mountable with different ring probes Ø 10, 20, 40 and 65 mm
- Output pulse length min. 100 ms
- DC 3-wire, 10...55 VDC
- NO contact, PNP output
- Connector, SOURIAU

### Wiring diagram

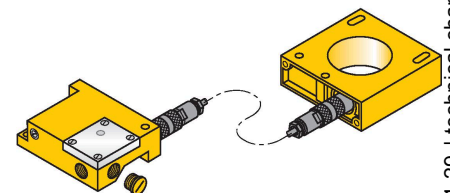
### Technical data

Type	S32SR-AP44X-S1131
Ident. no.	1440000
Repeat accuracy	≤ 2 % of full scale
pulse stop	≥ 5 ms
Pulse duration at the output	≥ 100 ms ± 20 %
Hysteresis	3...15 %
Ambient temperature	-25...+70 °C
Operating voltage	10...55 VDC
Residual ripple	≤ 10 % U <sub>ss</sub>
DC rated operational current	≤ 200 mA
No-load current	≤ 20 mA
Residual current	≤ 0.1 mA
Isolation test voltage	≤ 0.5 kV
Short-circuit protection	yes / Cyclic
Voltage drop at I <sub>o</sub>	≤ 1.8 V
Wire breakage/Reverse polarity protection	yes / Complete
Output function	3-wire, NO contact, PNP
Switching frequency	0.008 kHz
<b>Design</b>	Ring amplifier, S32
Dimensions	74 x 100 x 32 mm
Housing material	Plastic, ABS
Electrical connection	Connector, SOURIAU
Vibration resistance	55 Hz (1 mm)
Shock resistance	30 g (11 ms)



### Functional principle

Inductive sensors detect metal objects contactless and wear-free. For this purpose they use a high-frequency electromagnetic AC field that interacts with the target. Inductive ring sensors generate this field through an LC resonant circuit. The target acts as the coil core.



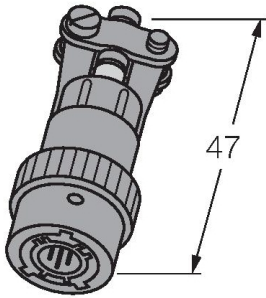
S32SR-AP44X-S1131 | 12/03/2020 04-29 | technical changes reserved

## Technical data

Protection class	IP65
Switching state	LED, Yellow

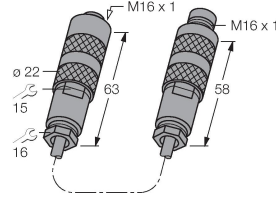
## Accessories

8 51 06EC 83AP50STECKVERBINDER 14304



Souriau connector as counter-part for coupling at ring S1131

ADAPTER CABLE RING 1.6M 14306



Adapter cable enables separate mounting of ring probe and switching amplifier; coax cable: RG58 C/U 50 Ohm