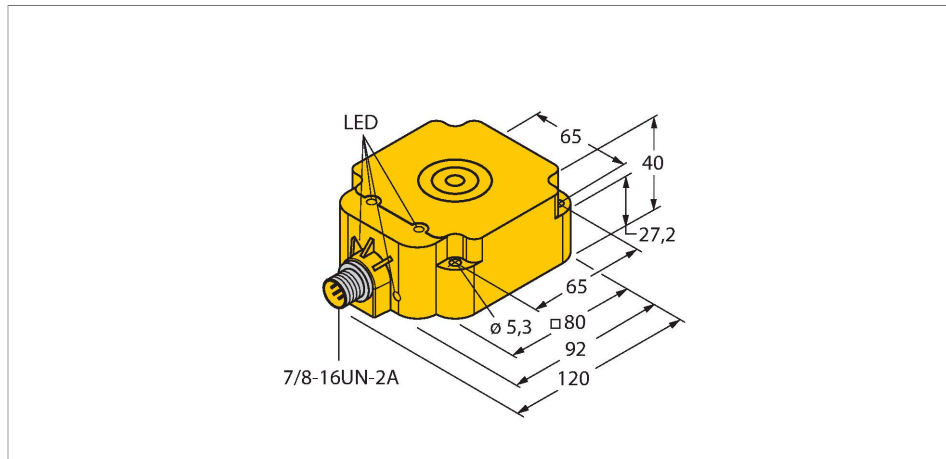


BI50U-Q80-VP4X2-B1141

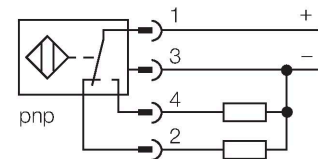
Inductive Sensor



Features

- Rectangular, height 40 mm
- Active face on top
- Plastic, PBT-GF30-V0
- Factor 1 for all metals
- Increased switching distance
- Protection class IP68
- Resistant to magnetic fields
- DC 4-wire, 10...65 VDC
- Changeover contact, PNP output
- 7/8" male connector

Wiring diagram



Technical data

Type	BI50U-Q80-VP4X2-B1141
Ident. no.	1562005
Rated switching distance	50 mm
Mounting conditions	Flush
Secured operating distance	$\leq (0.81 \times S_n)$ mm
Repeat accuracy	≤ 2 % of full scale
Temperature drift	$\leq \pm 10$ %
Hysteresis	1...15 %
Ambient temperature	-25...+70 °C
Operating voltage	10...65 VDC
Residual ripple	≤ 10 % U_{ss}
DC rated operational current	≤ 200 mA
No-load current	≤ 15 mA
Residual current	≤ 0.1 mA
Isolation test voltage	≤ 0.5 kV
Short-circuit protection	yes / Cyclic
Voltage drop at I_o	≤ 1.8 V
Wire breakage/Reverse polarity protection	yes / Complete
Output function	4-wire, Complementary contact, PNP
Insulation class	□
Switching frequency	0.25 kHz
Design	Rectangular, Q80
Dimensions	92 x 80 x 40 mm
Housing material	Plastic, PBT-GF30-V0

Functional principle

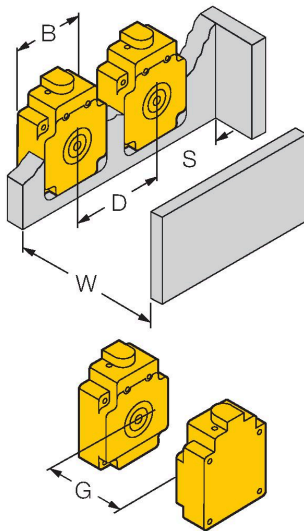
Inductive sensors are designed for wear-free and contactless detection of metal objects. uprox+ sensors have significant advantages due to their patented multi-coil system. They excel thanks to their optimum switching distances, maximum flexibility and operational reliability as well as efficient standardization.

Technical data

Active area material	PBT-GF30-V0, black
Tightening torque fixing screw	4 Nm
Electrical connection	Connector, 7/8"
Vibration resistance	55 Hz (1 mm)
Shock resistance	30 g (11 ms)
Protection class	IP68
MTTF	874 years acc. to SN 29500 (Ed. 99) 40 °C
Power-on indication	LED, Green
Switching state	LED, Yellow

Mounting instructions

Mounting instructions/Description



Distance D	240 mm
Distance W	150 mm
Distance S	80 mm
Distance G	300 mm
Width active area B	80 mm