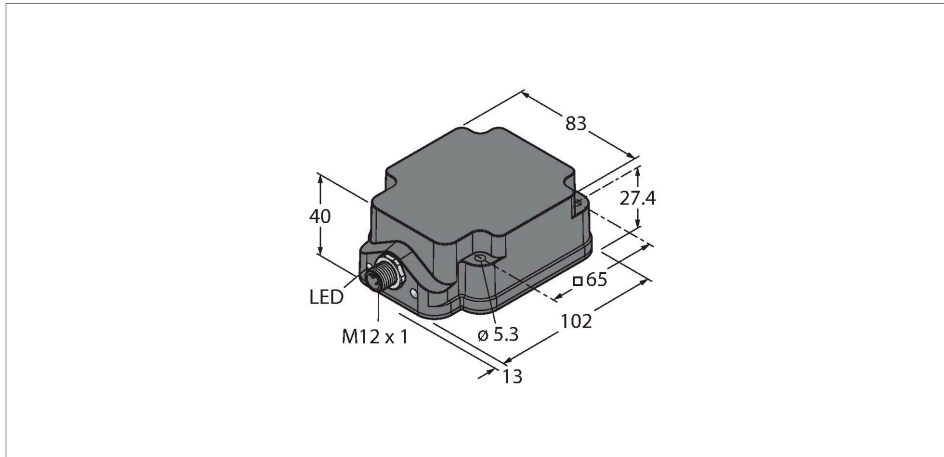


NI75U-Q80WD-VP6X2-H1141/F2

Inductive Sensor – For Harsh Environments



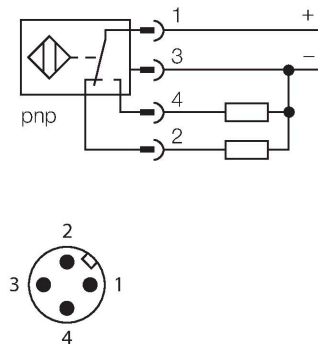
Features

- Rectangular, height 40 mm
- Active face on top
- Plastic, PPS-GF30
- Factor 1 for all metals
- Resistant to magnetic fields
- High protection class IP69K for harsh environments
- Protection against all common acidic and alkaline cleaning agents
- Laser engraved label, permanently legible
- Oscillation frequency 2
- DC 4-wire, 10...30 VDC
- Changeover contact, PNP output
- M12 x 1 male connector

Technical data

Type	NI75U-Q80WD-VP6X2-H1141/F2
Ident. no.	1625921
Rated switching distance	75 mm
Mounting conditions	Non-flush, partially embeddable
Secured operating distance	$\leq (0.81 \times S_n)$ mm
Repeat accuracy	$\leq 2\%$ of full scale
Temperature drift	$\leq \pm 10\%$
Hysteresis	3...15 %
Ambient temperature	-25...+70 °C
Operating voltage	10...30 VDC
Residual ripple	$\leq 10\% U_{ss}$
DC rated operational current	≤ 200 mA
No-load current	≤ 15 mA
Residual current	≤ 0.1 mA
Isolation test voltage	≤ 0.5 kV
Short-circuit protection	yes / Cyclic
Voltage drop at I_o	≤ 1.8 V
Wire breakage/Reverse polarity protection	yes / Complete
Output function	4-wire, Complementary contact, PNP
Insulation class	□
Switching frequency	0.25 kHz
Design	Rectangular, Q80WD
Dimensions	102 x 83 x 40 mm
Housing material	Plastic, PPS-GF30, Black

Wiring diagram



Functional principle

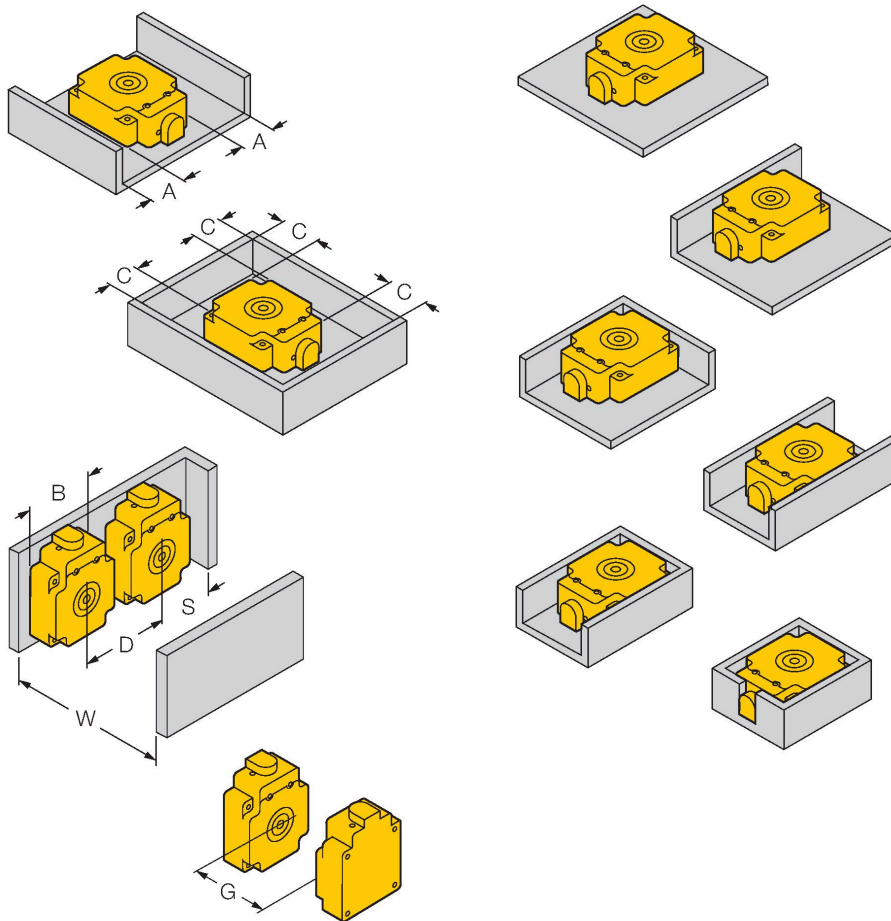
Inductive sensors are designed for wear-free and contactless detection of metal objects. uprox+ sensors have significant advantages due to their patented multi-coil system. They excel thanks to their optimum switching distances, maximum flexibility and operational reliability as well as efficient standardization.

Technical data

Active area material	Plastic, PPS-GF30, black
Plug adapter	metal, 1.4404 (AISI 316L)
Tightening torque fixing screw	4 Nm
Electrical connection	Connector, M12 × 1
Vibration resistance	55 Hz (1 mm)
Shock resistance	30 g (11 ms)
Protection class	IP68 / IP69K
MTTF	874 years acc. to SN 29500 (Ed. 99) 40 °C
Power-on indication	LED, Green
Switching state	LED, Yellow
Included in delivery	1x rubber sealing plate for rear mounting

Mounting instructions

Mounting instructions/Description



Distance D 240 mm

Distance W 225 mm

Distance S 60 mm

Distance G 450 mm

Distance A 20 mm

Distance C 80 mm

Width active area B 80 mm

Mounting on metal: Sr = 75 mm

1-side flush mounting: Sr = 50 mm

2-side flush mounting: Sr = 45 mm

3-side flush mounting: Sr = 40 mm

4-side flush mounting: Sr = 40 mm

recessed mounting without metal base plate: Sr = 65 mm

The values stated relate to a standard 1 mm thick sheet steel.

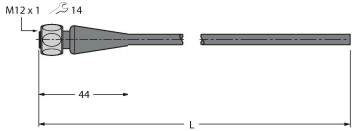
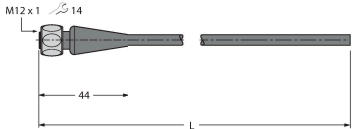
Switching distances with different target sizes:

Sheet steel 150 x 150 mm: Sn = 65 mm

Sheet steel 60 x 60 mm: Sn = 50 mm

Sheet steel 40 x 40 mm: Sn = 40 mm
 Sheet steel 120 x 40 mm: Sn = 45 mm

Wiring accessories

Dimension drawing	Type	Ident. no.	
	RKH4.4-2/TFE	6934473	Connection cable, M12 female, straight, 4-pin, stainless steel coupling nut, cable length: 2 m, jacket material: PVC, gray, temperature range -25...+80 °C; other cable lengths and designs available, see www.turck.com
	RKH4.4-2/TFG	6933086	Connection cable, M12 female, straight, 4-pin, stainless steel coupling nut, cable length: 2 m, jacket material: TPE, gray, temperature range -40...+105 °C; other cable lengths and designs available, see www.turck.com