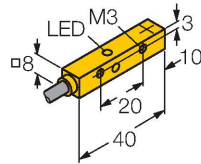


NI4U-Q8SE-RP6X/F2

Inductive Sensor



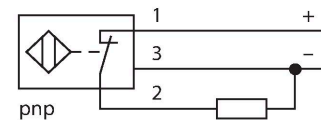
Features

- Rectangular, height 8 mm
- Active face on top
- Oscillation frequency 2
- Factor 1 for all metals
- Increased switching distance
- Protection class IP68
- Resistant to magnetic fields
- Auto-compensation protects against pre-damping
- Flush mounted installation on up to 4 sides
- DC 3-wire, 10...30 VDC
- NC contact, PNP output
- Cable connection

Technical data

Type	NI4U-Q8SE-RP6X/F2
Ident. no.	4635822
Rated switching distance	4 mm
Mounting conditions	Non-flush, flush mountable
Secured operating distance	$\leq (0.81 \times S_n)$ mm
Repeat accuracy	$\leq 2\%$ of full scale
Temperature drift	$\leq \pm 10\%$
	$\leq \pm 15\%$, $\leq -25\text{ °C}$ v $\geq +70\text{ °C}$
Hysteresis	3...15 %
Ambient temperature	-30...+85 °C
Operating voltage	10...30 VDC
Residual ripple	$\leq 10\% U_{ss}$
DC rated operational current	≤ 150 mA
No-load current	≤ 15 mA
Residual current	≤ 0.1 mA
Isolation test voltage	≤ 0.5 kV
Short-circuit protection	yes / Cyclic
Voltage drop at I_o	≤ 1.8 V
Wire breakage/Reverse polarity protection	yes / Complete
Output function	3-wire, NC contact, PNP
Switching frequency	1 kHz
Design	Rectangular, Q8SE
Dimensions	40 x 8 x 8 mm
Housing material	Plastic, PP, Yellow

Wiring diagram



Functional principle

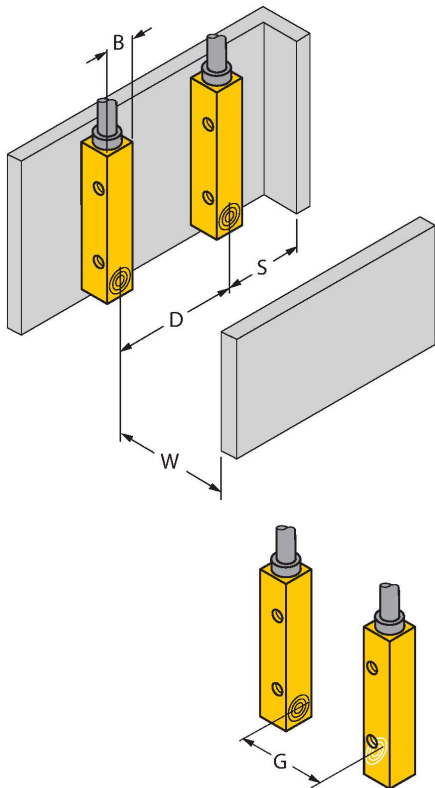
Inductive sensors are designed for wear-free and contactless detection of metal objects. uprox+ sensors have significant advantages due to their patented multi-coil system. They excel thanks to their optimum switching distances, maximum flexibility and operational reliability as well as efficient standardization.

Technical data

Active area material	PP, yellow
Tightening torque	≤ 0.6 Nm
Electrical connection	Cable
Cable quality	Ø 3 mm, Gray, Lif9Y-11Y, PUR, 2 m
	Suited for E-ChainSystems® acc. to manufacturers declaration H1063M
Core cross-section	3 x 0.14 mm ²
Vibration resistance	55 Hz (1 mm)
Shock resistance	30 g (11 ms)
Protection class	IP68
MTTF	874 years acc. to SN 29500 (Ed. 99) 40 °C
Switching state	LED, Yellow

Mounting instructions

Mounting instructions/Description



Distance D 24 mm

Distance W 12 mm

Distance S 12 mm

Distance G 24 mm

Width active area B 8 mm

Flush mounting on 4 sides

1-side mounting:
Sr = 3,5 mm

2-side mounting:
Sr = 3,0 mm

3-side mounting:
Sr = 2,5 mm

4-side mounting:
Sr = 2,0 mm