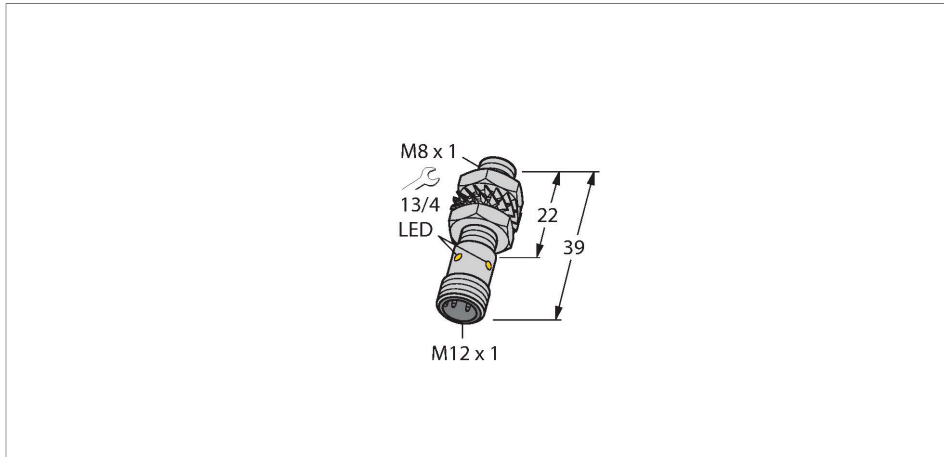


# BI2-EG08K-VN6X-H1341

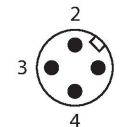
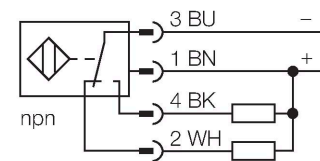
## Inductive Sensor – With Increased Switching Distance



### Features

- Threaded barrel, M8 x 1
- Stainless steel, 1.4427 SO
- Large sensing range
- DC 4-wire, 10...30 VDC
- Changeover contact, NPN output
- M12 x 1 male connector

### Wiring diagram



### Technical data

Type	BI2-EG08K-VN6X-H1341
Ident. no.	4669419
Rated switching distance	2 mm
Mounting conditions	Flush
Secured operating distance	$\leq (0.81 \times S_n)$ mm
Correction factors	St37 = 1; Al = 0.3; stainless steel = 0.7; Ms = 0.4
Repeat accuracy	$\leq 2$ % of full scale
Temperature drift	$\leq \pm 10$ %
Hysteresis	3...15 %
Ambient temperature	-25...+70 °C
Operating voltage	10...30 VDC
Residual ripple	$\leq 10$ % $U_{ss}$
DC rated operational current	$\leq 150$ mA
No-load current	$\leq 15$ mA
Residual current	$\leq 0.1$ mA
Isolation test voltage	$\leq 0.5$ kV
Short-circuit protection	yes / Cyclic
Voltage drop at $I_o$	$\leq 1.8$ V
Wire breakage/Reverse polarity protection	yes / Complete
Output function	4-wire, Complementary contact, NPN
Switching frequency	3 kHz
Design	Threaded barrel, M8 x 1
Dimensions	39 mm

### Functional principle

Inductive sensors detect metal objects contactless and wear-free. For this, they use a high-frequency electromagnetic AC field that interacts with the target. Inductive sensors generate this field via an RLC circuit with a ferrite coil.

## Technical data

Housing material	Stainless steel, 1.4427 SO
Active area material	Plastic, PA12-GF20
Max. tightening torque of housing nut	5 Nm
Electrical connection	Connector, M12 × 1
Vibration resistance	55 Hz (1 mm)
Shock resistance	30 g (11 ms)
Protection class	IP67
MTTF	2283 years acc. to SN 29500 (Ed. 99) 40 °C
Switching state	LED, Yellow

## Mounting instructions

### Mounting instructions/Description



Distance D	2 x B
Distance W	3 x Sn
Distance T	3 x B
Distance S	1.5 x B
Distance G	6 x Sn
Diameter active area B	Ø 8 mm

## Accessories

<p><b>BST-08B</b></p>	<p>6947210</p> <p>Mounting clamp for threaded barrel sensors, with dead-stop; material: PA6</p>	<p><b>QM-08</b></p>	<p>6945100</p> <p>Quick-mount bracket with dead-stop, chrome-plated brass, male thread M12 x 1. Note: The switching distance of proximity switches may be reduced through the use of quick-mount brackets.</p>
<p><b>MW-08</b></p>	<p>6945008</p> <p>Mounting bracket for threaded barrel sensors; material: Stainless steel A2 1.4301 (AISI 304)</p>	<p><b>BSS-08</b></p>	<p>6901322</p> <p>Mounting clamp for smooth and threaded barrel sensors; material: Polypropylene</p>
<p><b>MBS80</b></p>	<p>69479</p> <p>Mounting clamp for smooth barrel sensors; mounting block material: Anodized aluminum</p>		

## Wiring accessories

Dimension drawing	Type	Ident. no.	
	RKH4.4-2/TFE	6934473	Connection cable, M12 female, straight, 4-pin, stainless steel coupling nut, cable length: 2 m, jacket material: PVC, gray, temperature range -25...+80 °C; other cable lengths and designs available, see <a href="http://www.turck.com">www.turck.com</a>
	RKH4.4-2/TFG	6933086	Connection cable, M12 female, straight, 4-pin, stainless steel coupling nut, cable length: 2 m, jacket material: TPE, gray, temperature range -40...+105 °C; other cable lengths and designs available, see <a href="http://www.turck.com">www.turck.com</a>

B12-EG08K-VN6X-H1341 | 12/03/2020 04-14 | technical changes reserved