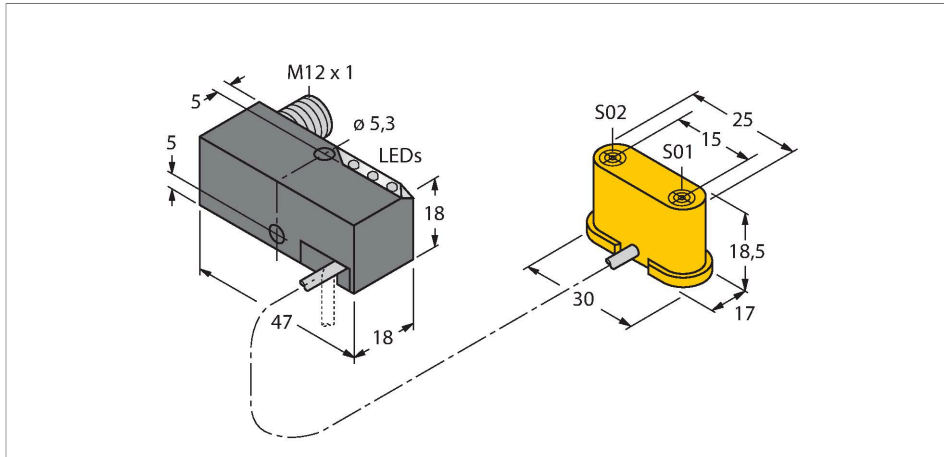


# NI1.5-VEP-2AP6-0.185-FS4.4X3/S304

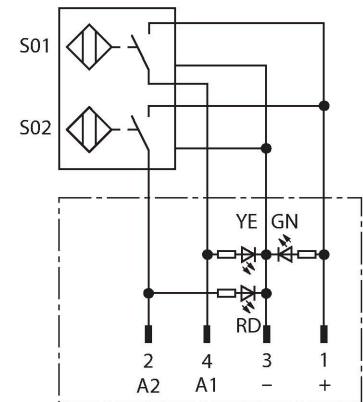
## Inductive Sensor – Monitoring Kit for Power Clamps



### Features

- VEP power block with two connected sensors and LEDs
- M12 x 1 male connector
- Plastic, PBT-GF20-V0
- Resistant to magnetic fields (weld-resistant), for DC and AC fields up to 100 mT
- 2 x NO contact, PNP output
- DC 4-wire, 10...30 VDC

### Wiring diagram



### Technical data

Type	NI1.5-VEP-2AP6-0.185-FS4.4X3/S304
Ident. no.	1650123
Special version	S304 corresponds to: 2 x Ni../Bi../-AP(N)6/S34. Function for DeviceNet. Defined length at connector FS4.4/FS4.4K or FSF5.5/FSF5.5K (with PE connection) or FS4.4X3. Example for order : Ni2-Q6.5-AP6-0.1-FSF4.4X3/S304
Rated switching distance	1.5 mm
Mounting conditions	Non-flush
Secured operating distance	≤ (0.81 × S <sub>n</sub> ) mm
Correction factors	St37 = 1; Al = 0.3; stainless steel = 0.7; Ms = 0.4
Repeat accuracy	≤ 2 % of full scale
Temperature drift	≤ ± 10 %
Hysteresis	3...15 %
Ambient temperature	-25...+70 °C
Operating voltage	10...30 VDC
Residual ripple	≤ 10 % U <sub>ss</sub>
DC rated operational current	≤ 150 mA
No-load current	≤ 20 mA
Residual current	≤ 0.1 mA
Isolation test voltage	≤ 0.5 kV
Short-circuit protection	yes / Cyclic
Voltage drop at I <sub>o</sub>	≤ 1.8 V
Wire breakage/Reverse polarity protection	Complete

### Functional principle

TURCK offers special monitoring kits, consisting of two miniature sensors, as a convenient solution for "Open/Closed" detection on pneumatic power clamps. This product line provides almost unlimited combination possibilities, comprising four different power blocks and over 40 different modular sensor types.

## Technical data

Output function	4-wire, NO contact, PNP
Switching frequency	0.03 kHz
<b>Design</b>	<b>Monitoring kit for power clamps, VEP</b>
Dimensions	47 x 18 x 18 mm
Housing material	Metal, 1.4305 (AISI 303)
Active area material	Plastic, PBT-GF30-V0
Electrical connection	Connector, M12 × 1
Cable quality	Ø 2 mm, Gray, Lif9Y-11Y, PUR, 0.185 m
Core cross-section	3 x 0.08 mm <sup>2</sup>
Litz wire	40 x 0.05 mm
Vibration resistance	55 Hz (1 mm)
Shock resistance	30 g (11 ms)
Protection class	IP67
MTTF	2283 years acc. to SN 29500 (Ed. 99) 40 °C
<b>Power-on indication</b>	<b>LED, Green</b>
Switching state	2 × LEDs, Yellow/Red

## Mounting instructions

### Mounting instructions/Description

