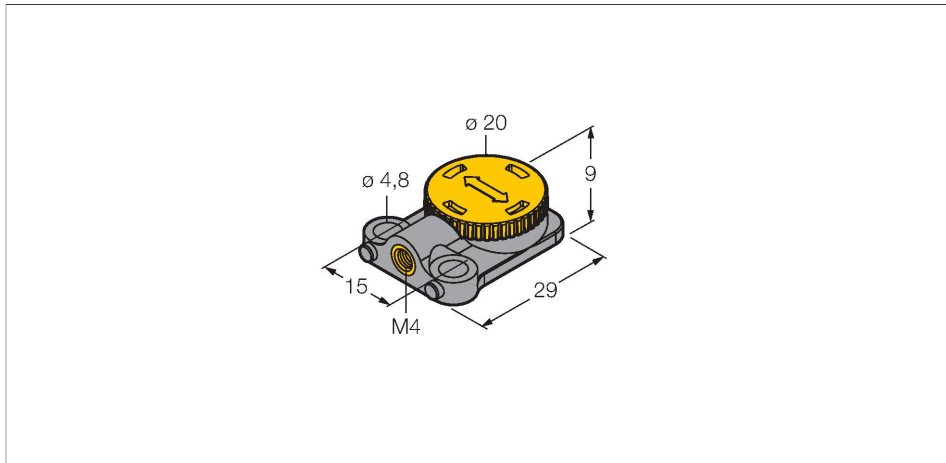


P1-LI-QR14/Q17L

Accessories – Positioning Element

For Linear Position Sensors LI-QR14 and LI-Q17L



Features

- Free positioning element
- Installation up to 4mm away from the sensor.

Technical data

Type	P1-LI-QR14/Q17L
Ident. no.	1590724
Design	P1-Li-QR14/Q17L
Housing material	Plastic