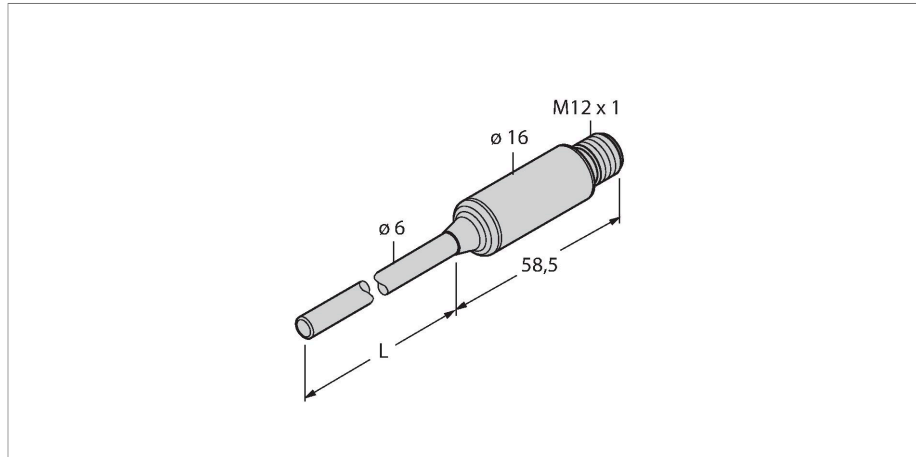


TTMS-206A-CF-LI6-H1140-L100-50/150

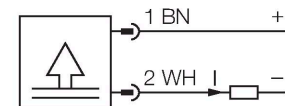
Temperature Detection – With Current Output



Features

- Miniature design
- Analog output 4...20 mA
- Factory setting -50 °C...150 °C
- Compression fitting process connection
- Bendable probe (min. bending radius: 3x outer diameter; excluding 30-mm probe tip)

Wiring diagram

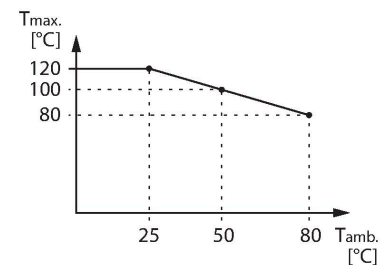


Technical data

Type	TTMS-206A-CF-LI6-H1140-L100-50/150
Ident. no.	100004227
Temperature range	
Measuring range	-50...150 °C
Temperature operating range	-58...302 °F
Factory setting	-50...150 °C
	-58...302 °F
Measuring element	Pt-1000 probe, DIN EN 60751, class A
Response time	t 0.5 = 6 s / t 0.9 = 15 s in water at 0.2 m/ s
Immersion depth (L)	100 mm
Power supply	
Operating voltage	5...32 VDC
Current consumption	≤ 20 mA
Short-circuit/reverse polarity protection	yes / yes
Protection type and class	IP67 / III
Outputs	
Output 1	Analog output
Output function	Analog output
Analog output	
Current output	4...20 mA
Load	≤ 0.86 kΩ @24 VDC [R _{Load} =(V _{supply} - 5 V)/22 mA] kΩ
Accuracy (Lin. + Hys. + Rep.)	± 0.2 K

Functional principle

Temperatures are recorded over a mineral insulated transmitter and converted into a wide range of electrical output signals. The devices of the TTM miniature series are enclosed in a fully potted plastic housing and depending on the variant, they have either an IO-link output, power output and/or switching output.



Technical data

Temperature behaviour	
Temperature coefficient zero point T_{k0}	± 0.1 % of full scale/10 K
Temperature coefficient span T_{ks}	± 0.1 % of full scale/10 K
Ambient conditions	
Ambient temperature	-40...+80 °C
Storage temperature	-40...+80 °C
Housing	
Housing material	Stainless steel, 1.4404 (AISI 316L)
Sensor material	Stainless steel, 1.4404 (AISI 316L)
Process connection	For compression fittings, thermowell or direct mounting
Process Pressure	100 bar
Electrical connection	Connector, M12 × 1
Reference conditions acc. to IEC 61298-1	
Temperature	15...+25 °C
Atmospheric pressure	860...1060 hPa abs.
Humidity	45...75 % rel.
Auxiliary power	24 VDC
MTTF	162 years acc. to SN 29500 (Ed. 99) 40 °C