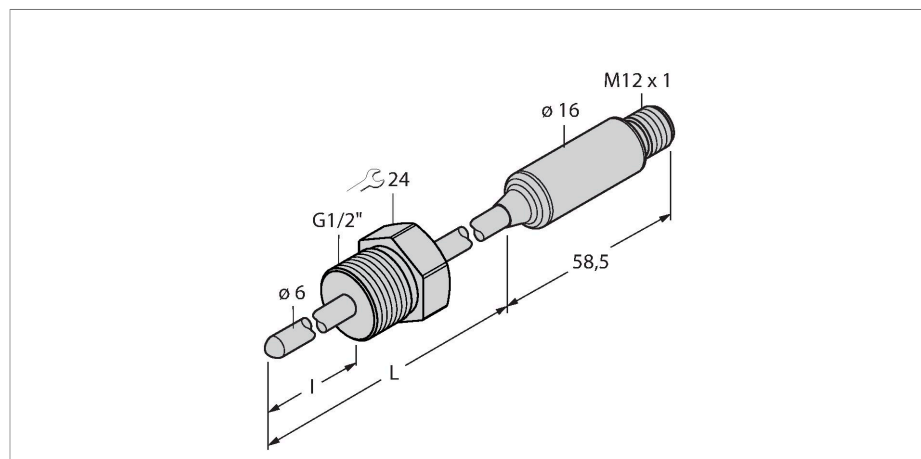


TTMS-206TA-G1/2-LI6-H1140-L250-50/150

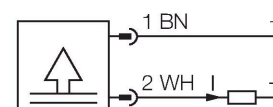
Temperature Detection – With Current Output



Features

- Miniature design
- Analog output 4...20 mA
- Factory setting -50...150°C (other settings on request)
- Process connection G1/2", male thread
- Bendable probe (min. bending radius: 3x outer diameter; excluding 30-mm probe tip)
- Probe tapered from 6 mm to 4.4 mm

Wiring diagram

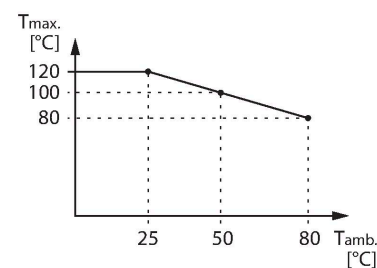


Technical data

| | |
|---|---|
| Type | TTMS-206TA-G1/2-LI6-H1140-L250-50/150 |
| Ident. no. | 100005553 |
| Temperature range | |
| Measuring range | -50...150 °C |
| Temperature operating range | -58...302 °F |
| Note | Probe tapered from 6 mm to 4.4 mm |
| Measuring element | Pt-1000 probe, DIN EN 60751, class A |
| Bar length (L) | 300 mm |
| Immersion length (l) | 250 mm |
| Power supply | |
| Operating voltage | 5...32 VDC |
| Current consumption | ≤ 20 mA |
| Short-circuit/reverse polarity protection | yes / yes |
| Protection type and class | IP67 / III |
| Outputs | |
| Output 1 | Analog output |
| Output function | Analog output |
| Analog output | |
| Current output | 4...20 mA |
| Load | ≤ 0.86 kΩ @24 VDC [R _{Load} =(V _{supply} - 5 V)/22 mA] kΩ |
| Accuracy (Lin. + Hys. + Rep.) | ± 0.2 K |

Functional principle

Temperatures are recorded over a mineral insulated transmitter and converted into a wide range of electrical output signals. The devices of the TTM miniature series are enclosed in a fully potted plastic housing and depending on the variant, they have either an IO-link output, power output and/or switching output.



Technical data

| Temperature behaviour | |
|--|---|
| Temperature coefficient zero point Tk0 | ± 0.1 % of full scale/10 K |
| Temperature coefficient span T _{KS} | ± 0.1 % of full scale/10 K |
| Ambient conditions | |
| Ambient temperature | -40...+80 °C |
| Storage temperature | -40...+80 °C |
| Housing | |
| Housing material | Stainless steel, 1.4404 (AISI 316L) |
| Sensor material | Stainless steel, 1.4404 (AISI 316L) |
| Process connection | G 1/2" male thread |
| Process Pressure | 100 bar |
| Electrical connection | Connector, M12 × 1 |
| Reference conditions acc. to IEC 61298-1 | |
| Temperature | 15...+25 °C |
| Atmospheric pressure | 860...1060 hPa abs. |
| Humidity | 45...75 % rel. |
| Auxiliary power | 24 VDC |
| MTTF | 162 years acc. to SN 29500 (Ed. 99) 40 °C |