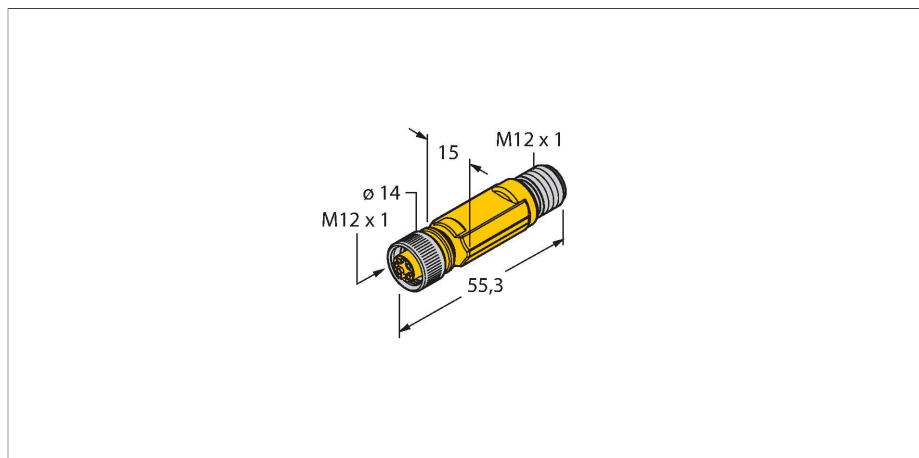


TTM-100-LIUPN-H1140

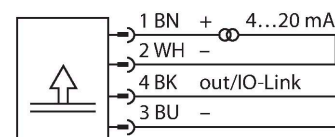
Temperature Detection – With Current Output and PNP/NPN Transistor Switching Output



Features

- Miniature design
- Factory setting 0...150 °C
- Parameterizable via IO-Link
- Analog output 4...20 mA (2-wire)
- Switching output
- For connection to external temperature probes

Wiring diagram



Functional principle

TP temperature probes (PT100 4-wire) can be plugged directly or via cable to the M12 connection at the TTM-100 temperature transmitter.

The measured temperature is transformed into an analog output signal (2-wire 4...20mA) and a switching signal. IO-Link is available for communication and programming.

Technical data

Type	TTM-100-LIUPN-H1140
Ident. no.	9910632
Temperature range	
Measuring range	-210...650 °C
Temperature operating range	-346...1202 °F
Factory setting	0...150 °C
	32...302 °F
Note	Max. temperature of electronics: 80 °C/176 °F
Measuring element	for connection to probes of the TP series
Response time	depending on connected temperature probe
Power supply	
Operating voltage	15...30 VDC
Current consumption	≤ 20 mA
Voltage drop at I _o	≤ 2 V
Short-circuit/reverse polarity protection	yes / yes
Protection type and class	IP67 / III
Outputs	
Output 1	Switching output or IO-Link mode
Output 2	analog output
Switching output	
Communication protocol	IO-Link

Technical data

Output function	NO/NC programmable, PNP/NPN
Switching point accuracy	$\pm 0.3 \text{ K}$
Rated operational current	0.15 A
Switching cycles	$\geq 100 \text{ mil.}$
Release position	-210...+640 °C
Switching point	-200...+650 °C
Analog output	
Current output	4...20 mA
Load	$\leq [(V_{\text{supply}} - 10 \text{ V})/21 \text{ mA}] \text{ k}\Omega$
Accuracy (Lin. + Hys. + Rep.)	$\pm 0.3 \text{ K}$
Remark	0.1 % of full scale applies to temperatures $> +300 \text{ °C}$
Repeatability	0.1 K
IO-Link	
IO-Link specification	Specified acc. to version 1.1
Programming	FDT / DTM
Transmission physics	corresponds to 3-wire physics (PHY2)
Transmission rate	COM 2 / 38.4 kbps
Process data width	16 bit
Measured value information	15 bit
Switchpoint information	1 bit
Frame type	2.2
Genauigkeit	$\pm 0.2 \text{ K}$
Included in the SIDI GSDML	Yes
Temperature behaviour	
Temperature coefficient zero point T_{k0}	$\pm 0.1 \text{ % of full scale}/10 \text{ K}$
Temperature coefficient span T_{ks}	$\pm 0.1 \text{ % of full scale}/10 \text{ K}$
Ambient conditions	
Ambient temperature	-40...+80 °C
Storage temperature	-40...+80 °C
Housing	
Housing material	Stainless-steel/Plastic, 1.4404 (AISI 316L)
Process connection	M12 × 1
Electrical connection	Connector, M12 × 1
Reference conditions acc. to IEC 61298-1	
Temperature	15...+25 °C
Atmospheric pressure	860...1060 hPa abs.

Technical data

Humidity	45...75 % rel.
Auxiliary power	24 VDC
MTTF	541 years acc. to SN 29500 (Ed. 99) 40 °C