

CIRCUIT-BREAKER VL 250H WITHOUT ELECTRONIC TRIP UNIT HIGH BREAKING CAPACITY ICU= 70 KA / 415 V AC,  
 3-POLE IN= < 250 A,  
 RATED CURRENT WITHOUT AUXILIARY RELEASE WITH SCREW CONNECTIONS FOR CONTACT UNIT AND OVERVOLTAGE RELEASE

Similar to image

**General technical data:**

<b>Number of poles</b>		3
<b>Electrical operating cycles as operating time / typical</b>		10,000
<b>Mechanical operating cycles as operating time / typical</b>		20,000
<b>Product component</b>		
• auxiliary switch		No
• Voltage trigger		No
• undervoltage release mechanism		No
• undervoltage release with leading contact		No
<b>Product function</b>		
• ground-fault protection		No
• for zero conductors / short-circuit and overload protection		No
• overload protection		No
<b>Operating cycles / maximum</b>	1/s	120
<b>Protection class IP</b>		IP20
<b>Impulse voltage resistance / rated value</b>	kV	8
<b>Ambient temperature</b>		
• during operating	°C	-25 ... +70
• during storage	°C	-40 ... +80

**Main circuit:**

<b>Insulation voltage / for AC / rated value</b>	V	800
<b>Operating frequency</b>		
• 1 / rated value	Hz	50
• 2 / rated value	Hz	60
<b>Reference code</b>		
• according to DIN 40719 extended according to IEC 204-2 / according to IEC 750		Q
• according to DIN EN 61346-2		Q
<b>Operating voltage / for main circuit</b>		
• at 50 Hz / with AC		
• maximum	V	690
• at 60 Hz / with AC		
• maximum	V	690
<b>Operating current</b>		
• at 40 °C / rated value	A	250
• at 50 °C / rated value	A	250
• at 60 °C / rated value	A	232.5
• at 70 °C / rated value	A	215
<b>Continuous current / rated value</b>	A	250
<b>Derating temperature / for the rated value of the continuous current</b>	°C	50
• acc. to UL 489	°C	40

**Auxiliary circuit:**

<b>Number of NC contacts / for auxiliary contacts</b>		0
<b>Number of NO contacts / for auxiliary contacts</b>		0

**Short-circuit:**

<b>Breaking capacity limit short-circuit current (I<sub>cu</sub>) / at 415 V / rated value</b>	kA	70
--	----	----

**Installation/mounting/dimensions:**

<b>Mounting type</b>		fixed mounting
<b>Height</b>	mm	185.5
<b>Width</b>	mm	104.5
<b>Depth</b>	mm	106.5

**Connections:**

<b>Arrangement of electrical connectors / for main current circuit</b>		front side
<b>Design of the electrical connection / for main current circuit</b>		screw-type terminals

**Certificates/approvals:**

<b>General Product Approval</b>	<b>Declaration of Conformity</b>	<b>Test Certificates</b>
---------------------------------	----------------------------------	--------------------------

[TSE](#)



[Special Test Certificate](#)

**Shipping Approval**



**Shipping Approval**

**other**



[Confirmation](#)

[other](#)

[Environmental Confirmations](#)

**Further information:**

**Information- and Downloadcenter (Catalogs, Brochures,...)**

<http://www.siemens.com/lowvoltage/catalogs>

**Industry Mall (Online ordering system)**

<https://eb.automation.siemens.com/mall/en/WW/Catalog/Product/3VL3725-2AA36-0AA0>

**Service&Support (Manuals, Certificates, Characteristics, FAQs,...)**

<http://support.automation.siemens.com/WWW/view/en/3VL3725-2AA36-0AA0/all>

**Image database (product images, 2D dimension drawings, 3D models, device circuit diagrams, ...)**

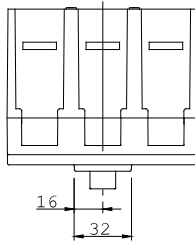
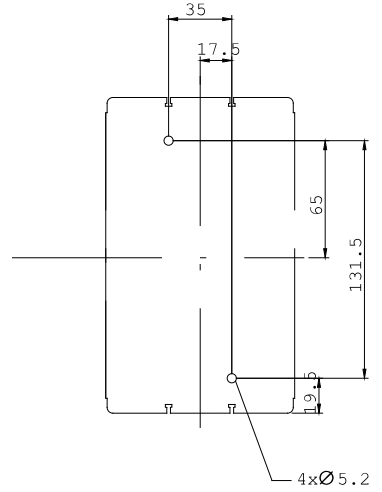
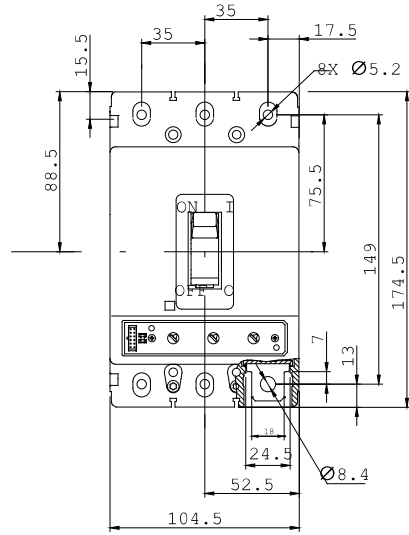
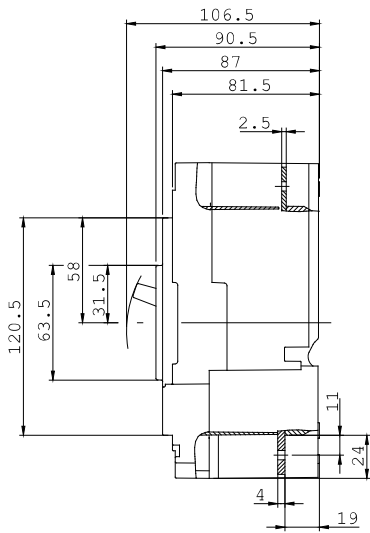
[http://www.automation.siemens.com/bilddb/cax\\_en.aspx?mlfb=3VL3725-2AA36-0AA0](http://www.automation.siemens.com/bilddb/cax_en.aspx?mlfb=3VL3725-2AA36-0AA0)

**CAX-Online-Generator**

<http://www.siemens.com/cax>

**Tender specifications**

[Datanorm GAEB81](#) [GAEB83](#) [RTF](#) [TXT](#)



last change:

Jun 16, 2014